

REVISED
3:58 pm, Oct 06, 2023



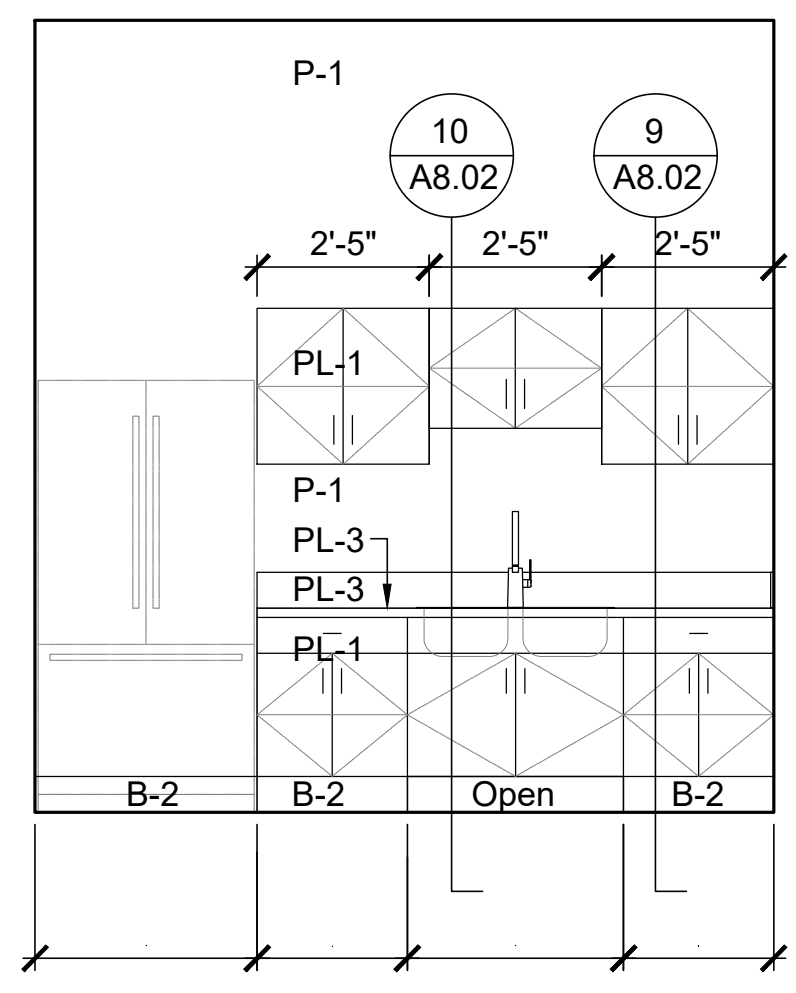
LEEKA Architecture and Planning
Creating Positive Impressions in the Built Environment
503 844 4222
www.leeakinc.com

Tenant Improvement
Educational Service District 112
Mental Health Facility Phase II
2400 NE 65th Ave. Vancouver, WA.

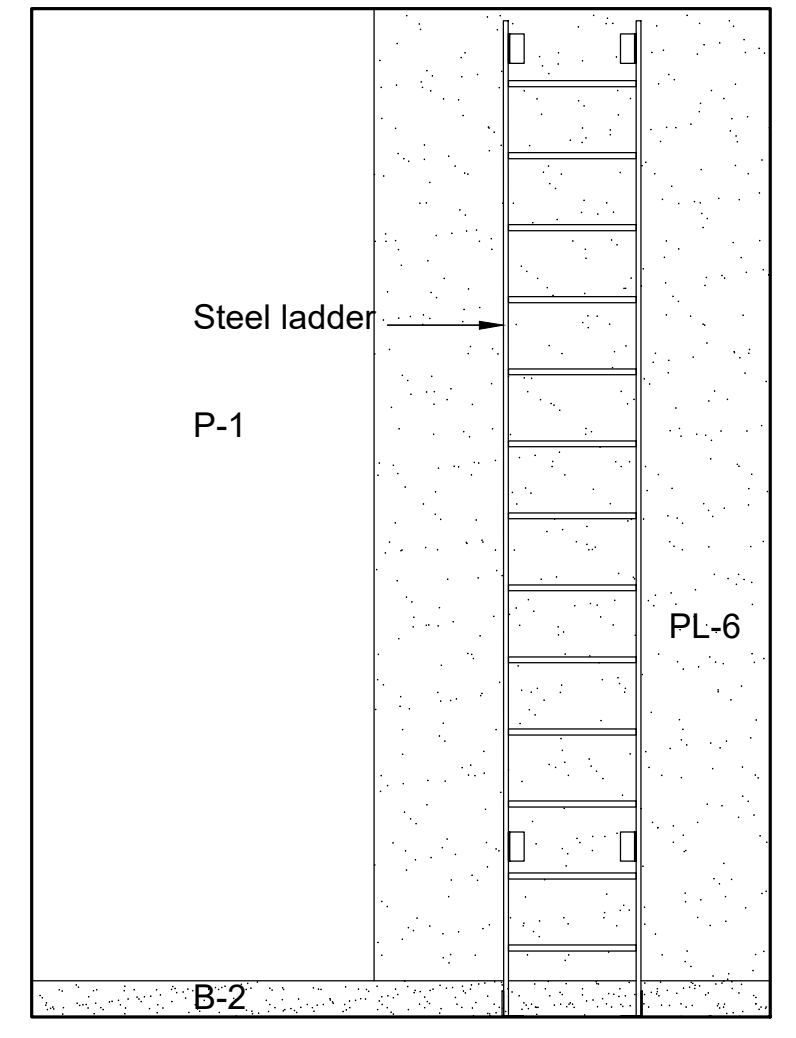
Revised:	DATE: Aug. 10, 2023
PCR 01	DATE: Aug. 17, 2023
APPLICANT EDITS	DATE: Sept. 22, 2023
APPLICANT EDITS	DATE: Oct. 03, 2023

Job No:	2246
Date:	3-Oct-23
File Size:	24x36
Permit Application	
DRAWN:	NYL
CHECKED:	NYL

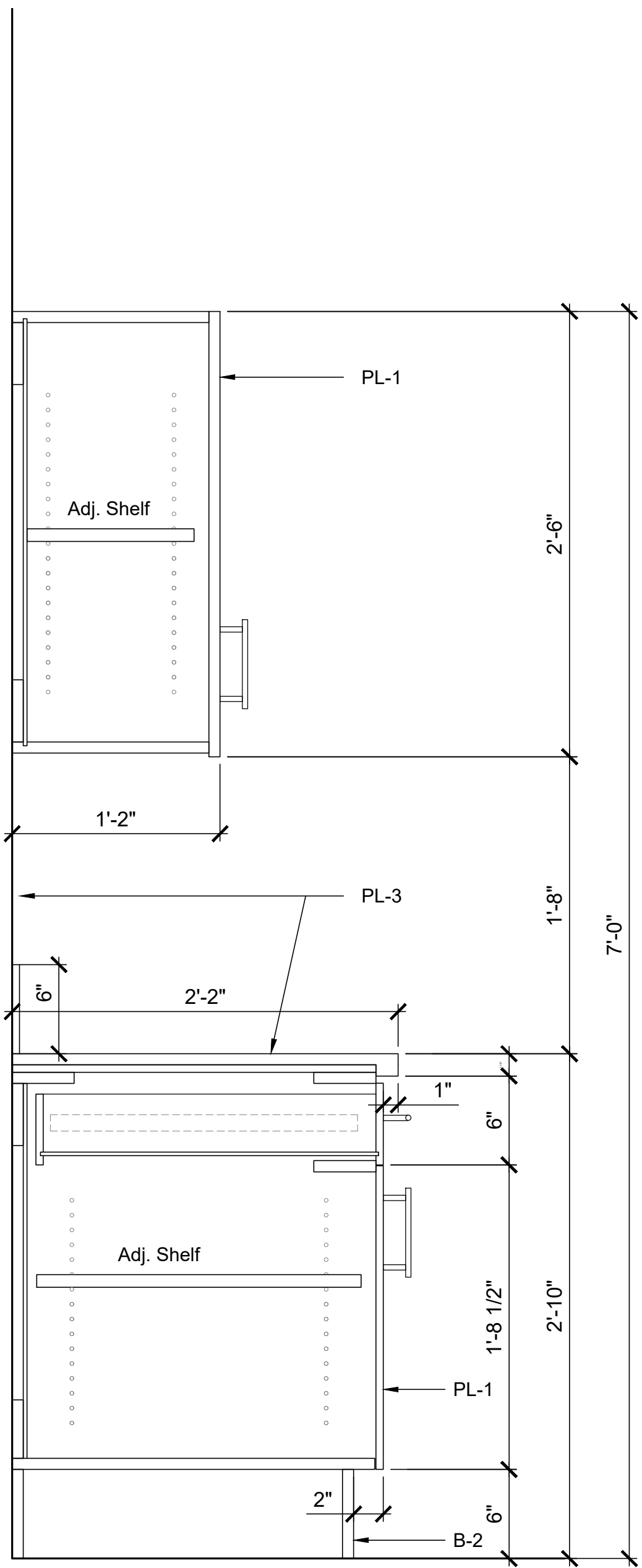
Sheet Title
Interior Elevations and casework details
Sheet Number
A8.02



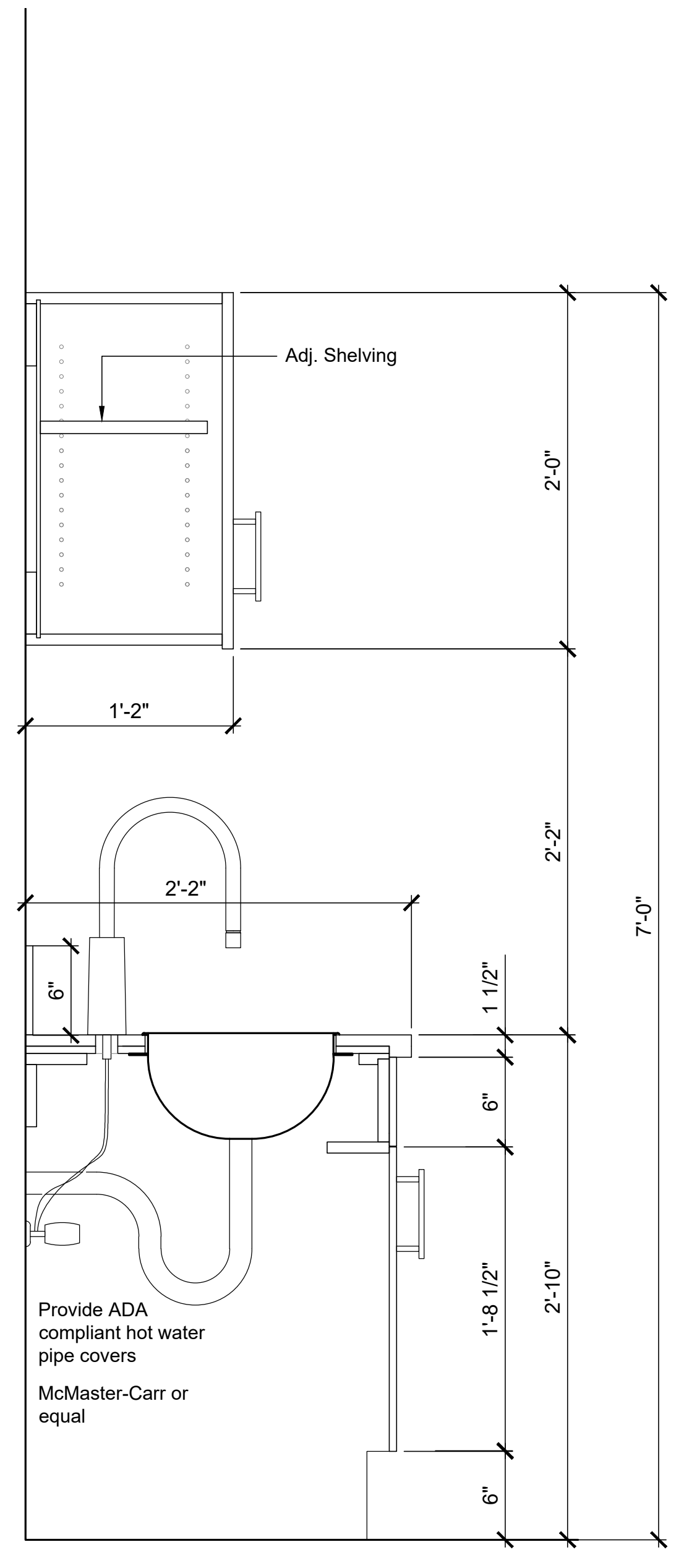
1 Interior Elevation
A8.02 Scale 3/8"=1'-0"



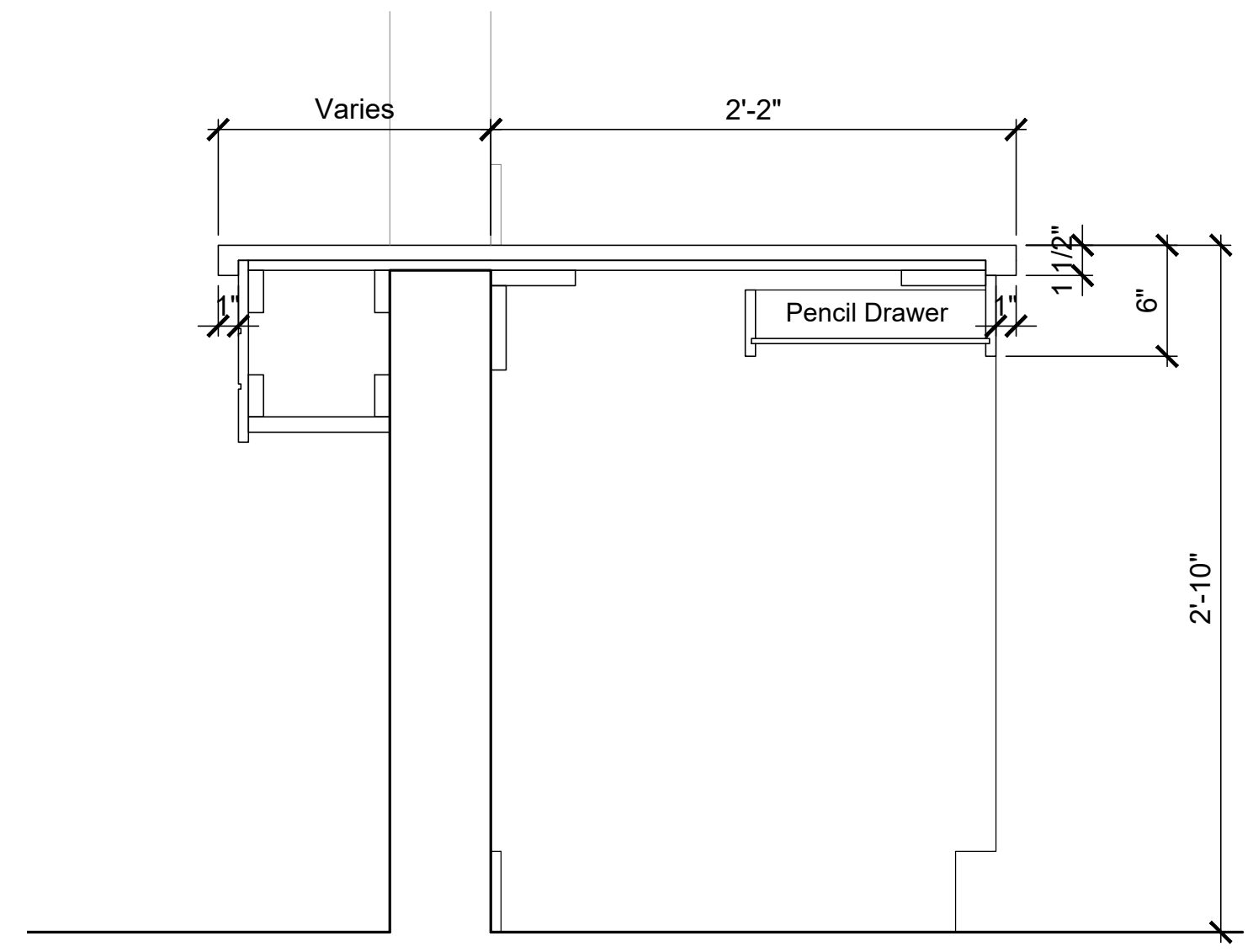
2 Interior Elevation
A8.02 Scale 3/8"=1'-0"



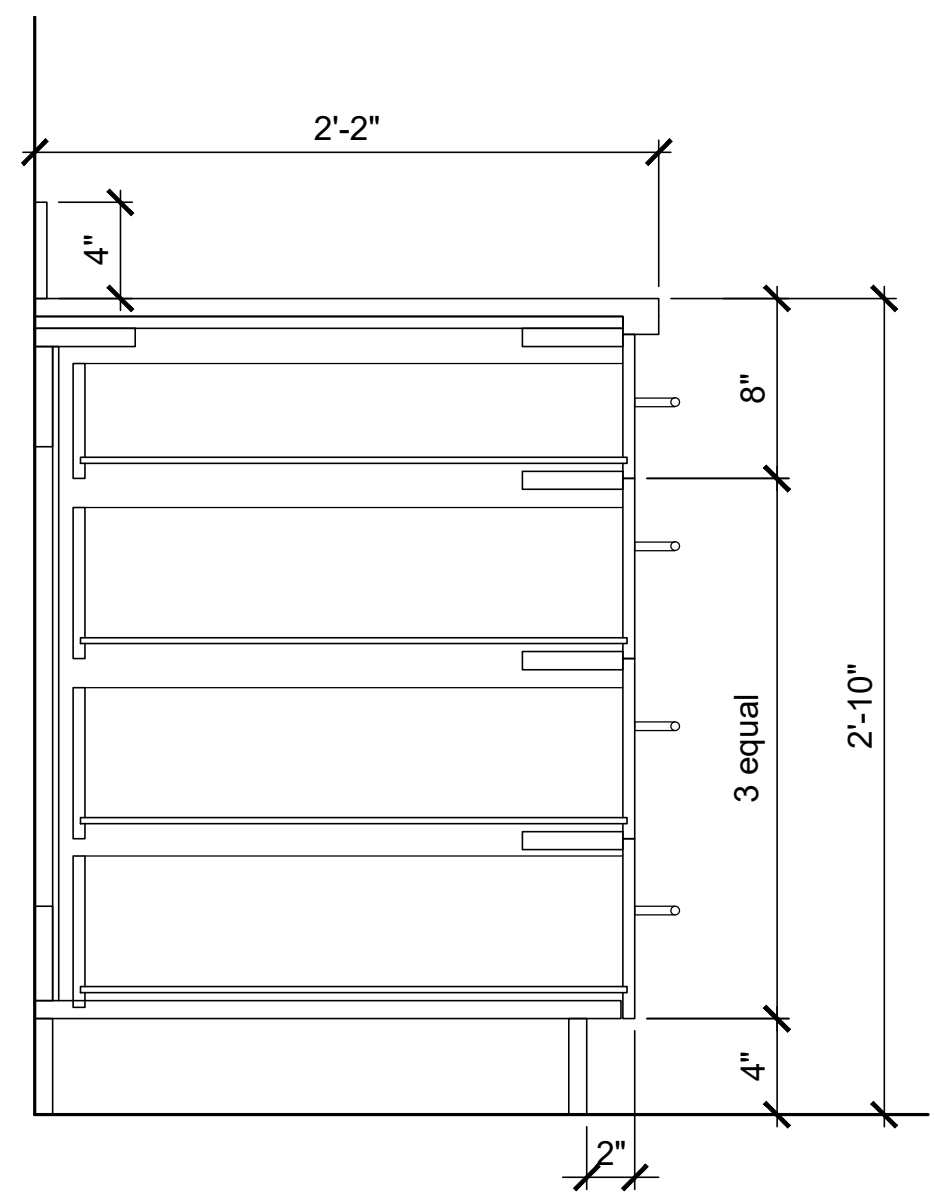
9 Casework Section
A8.02 Scale 1 1/2"=1'-0"



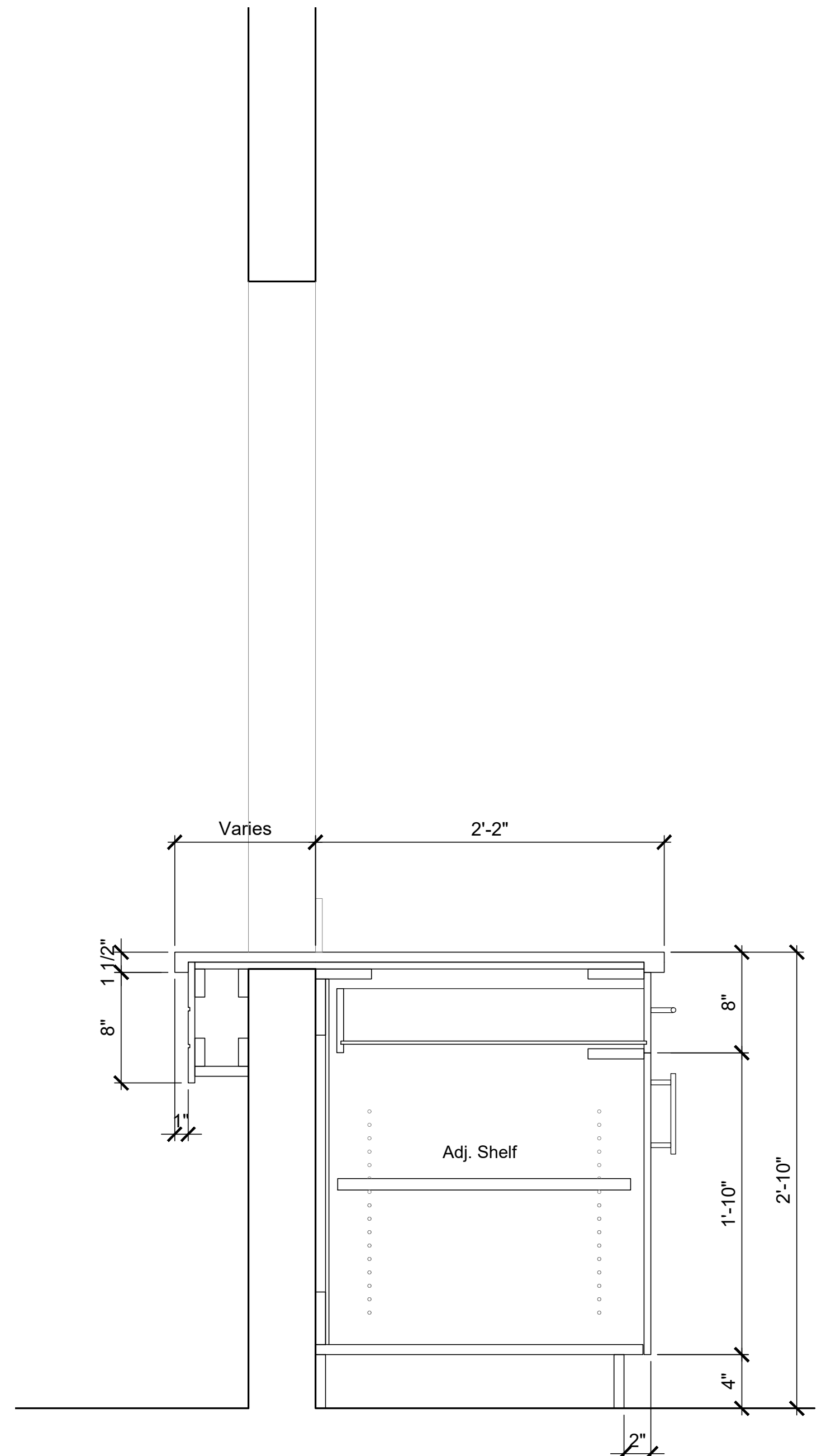
10 Casework Section
A8.02 Scale 1 1/2"=1'-0"



7 Casework Section
A8.02 Scale 1 1/2"=1'-0"



11 Casework Section
A8.02 Scale 1 1/2"=1'-0"



12 Casework Section
A8.02 Scale 1 1/2"=1'-0"