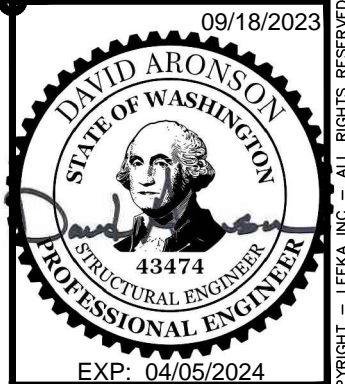


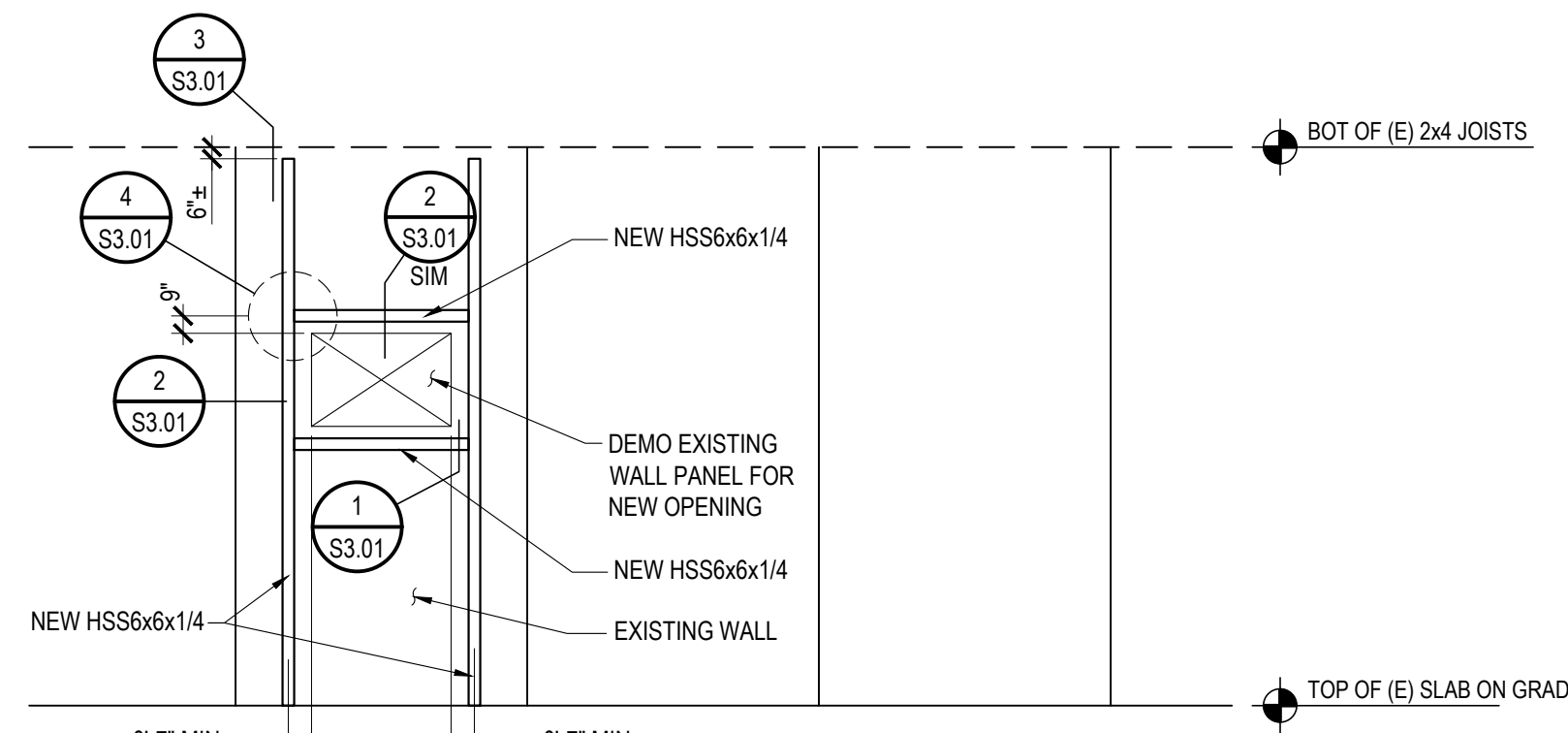
REVISED
4:06 pm, Oct 06, 2023



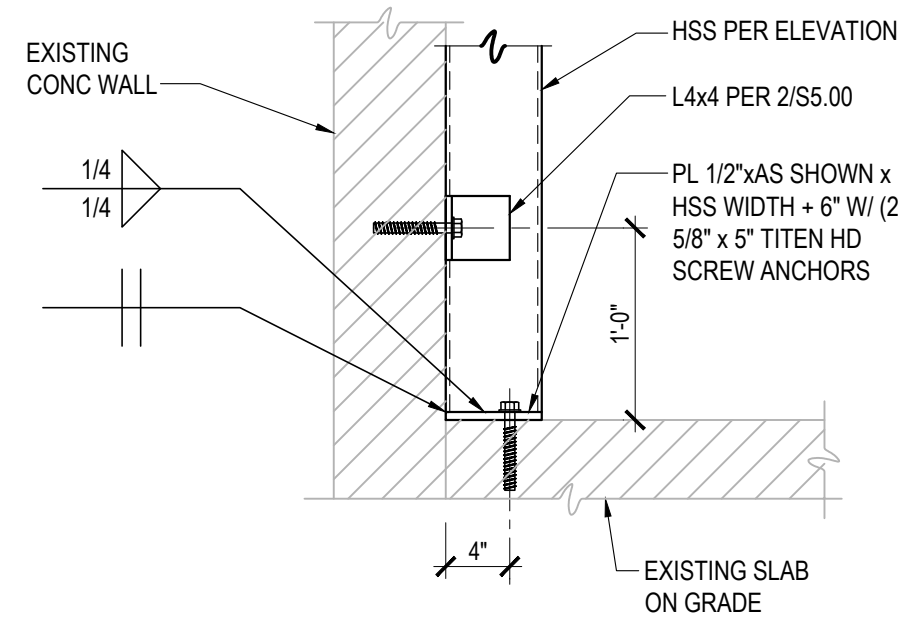
LEEKA Architecture and Planning
Creating Positive Impressions in the Built Environment
1001 SE Water Avenue, Suite 175
Portland, Oregon 97214
503.644.4222
lee@leeka.com
www.leeka.com

Tenant Improvement
ESD112
Mental Health Facility Phase II
2400 NE 65th Ave., Vancouver WA.

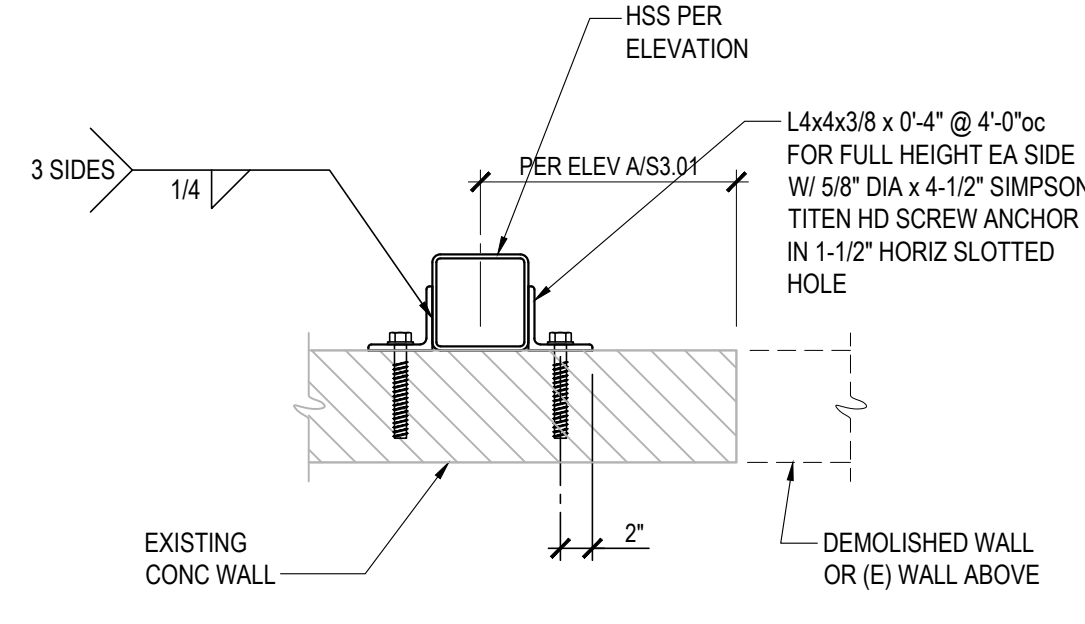
Job No:	2246
Date:	
File Size:	24x36
Progress set:	
DRAWN:	BKG
CHECKED:	BKG
Sheet Title:	FOUNDATION DETAILS
Sheet Number:	S3.01



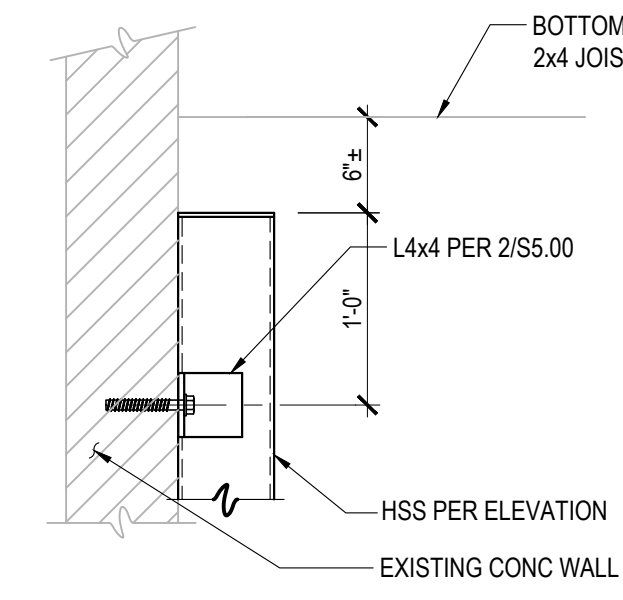
A PARTIAL ELEVATION
S3.01 1/8" = 1'-0"



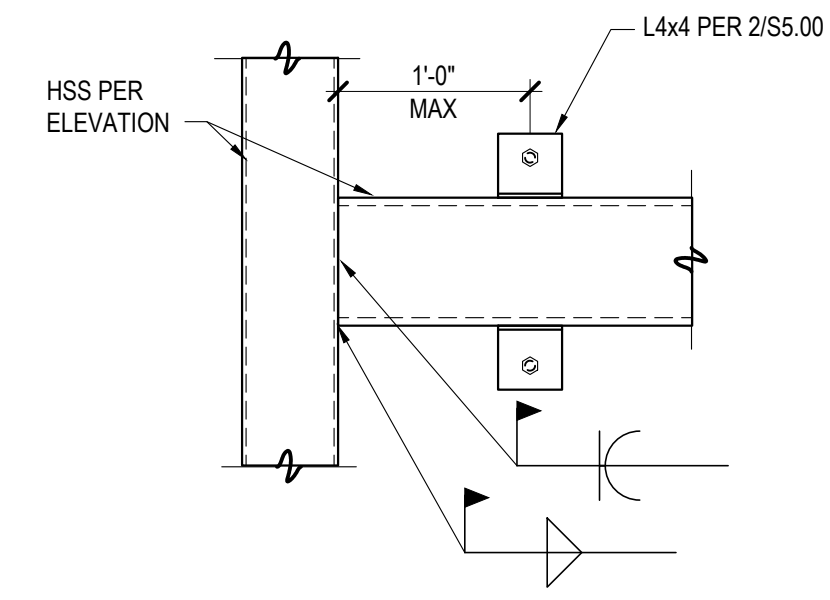
1 PLAN SECTION
S3.01 1" = 1'-0"



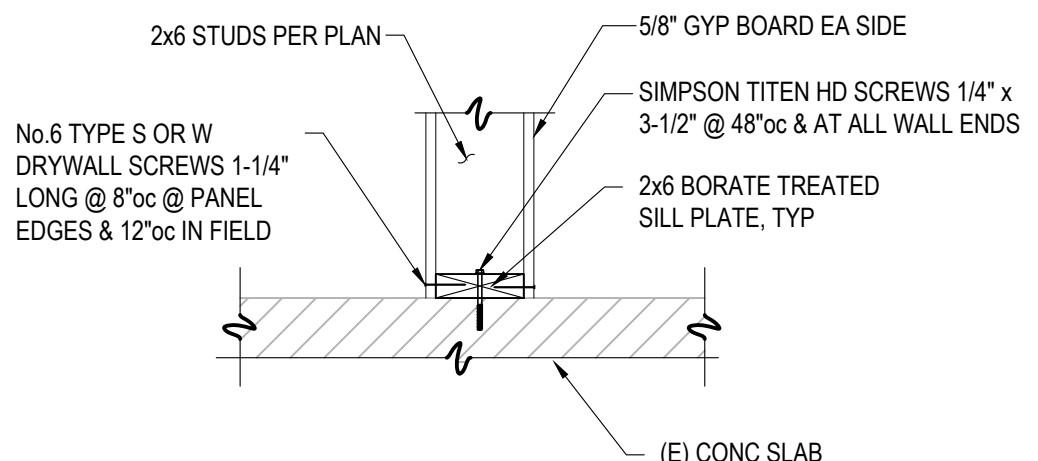
2 PLAN SECTION
S3.01 1" = 1'-0"



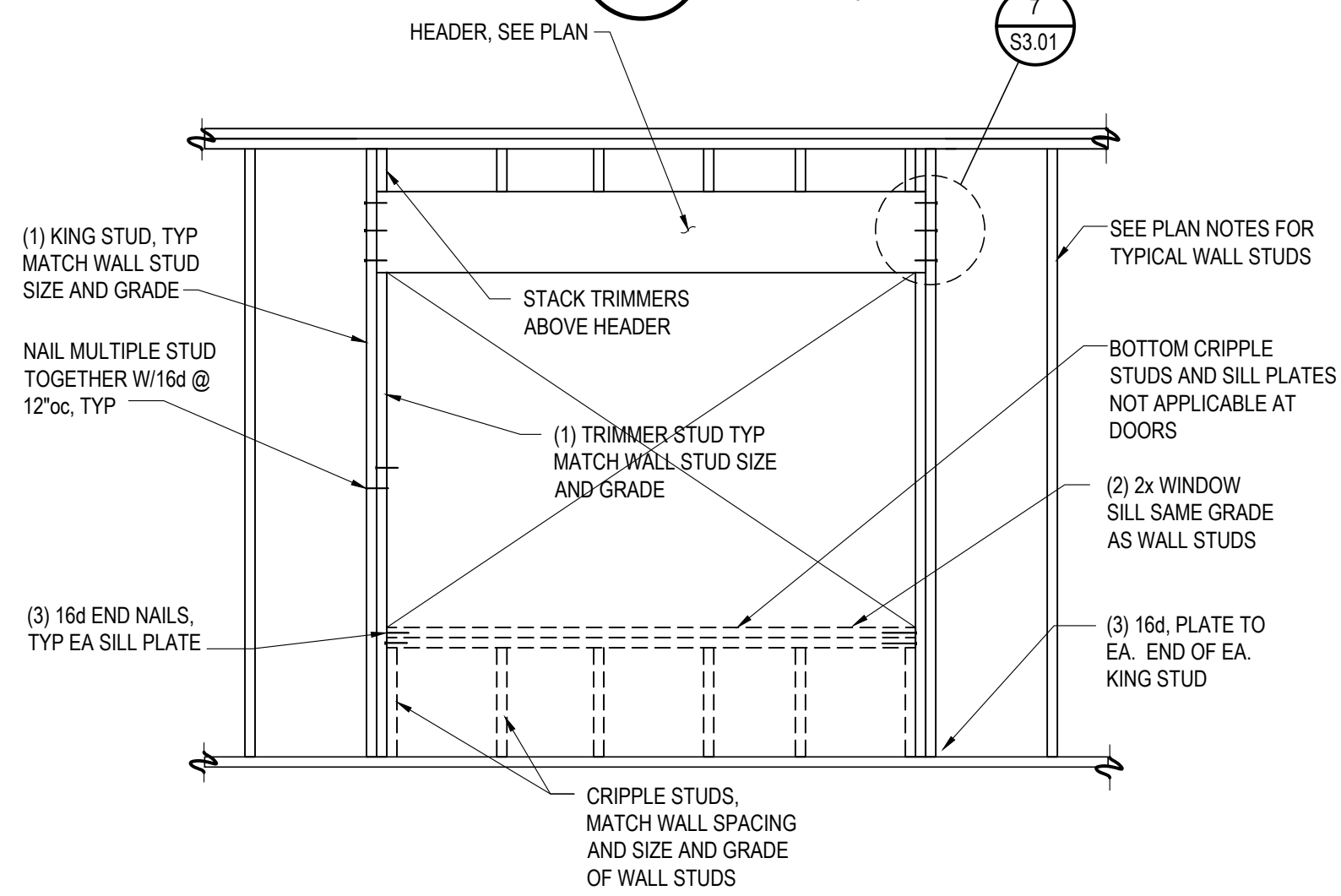
3 PLAN SECTION
S3.01 1" = 1'-0"



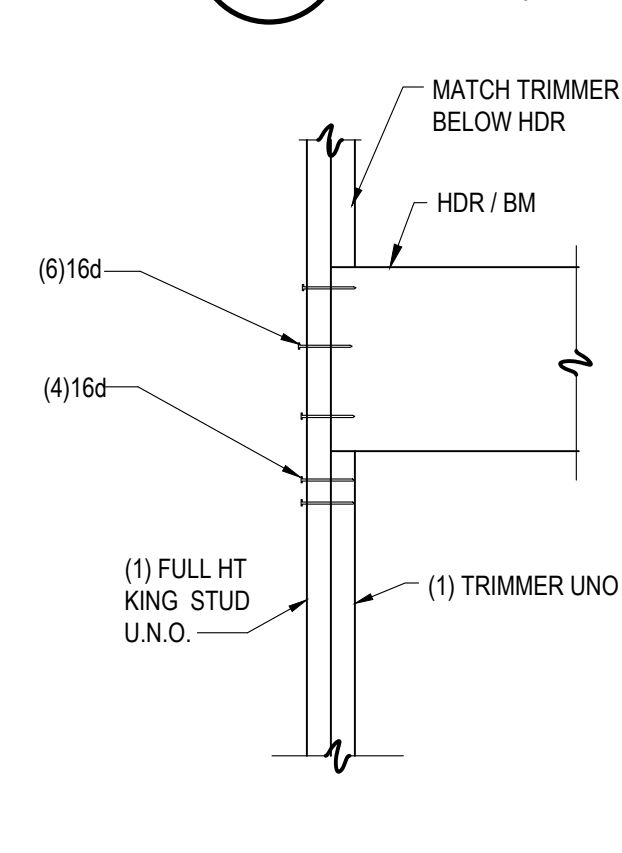
4 SECTION
S3.01 1" = 1'-0"



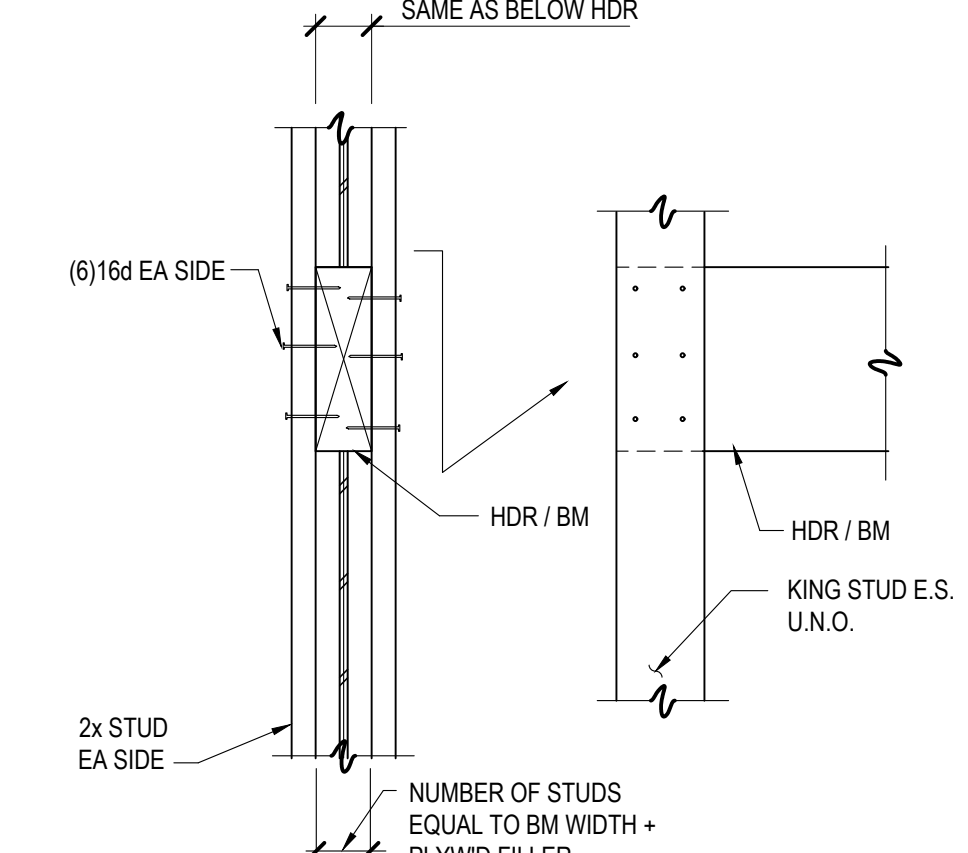
5 SECTION
S3.01 1" = 1'-0"



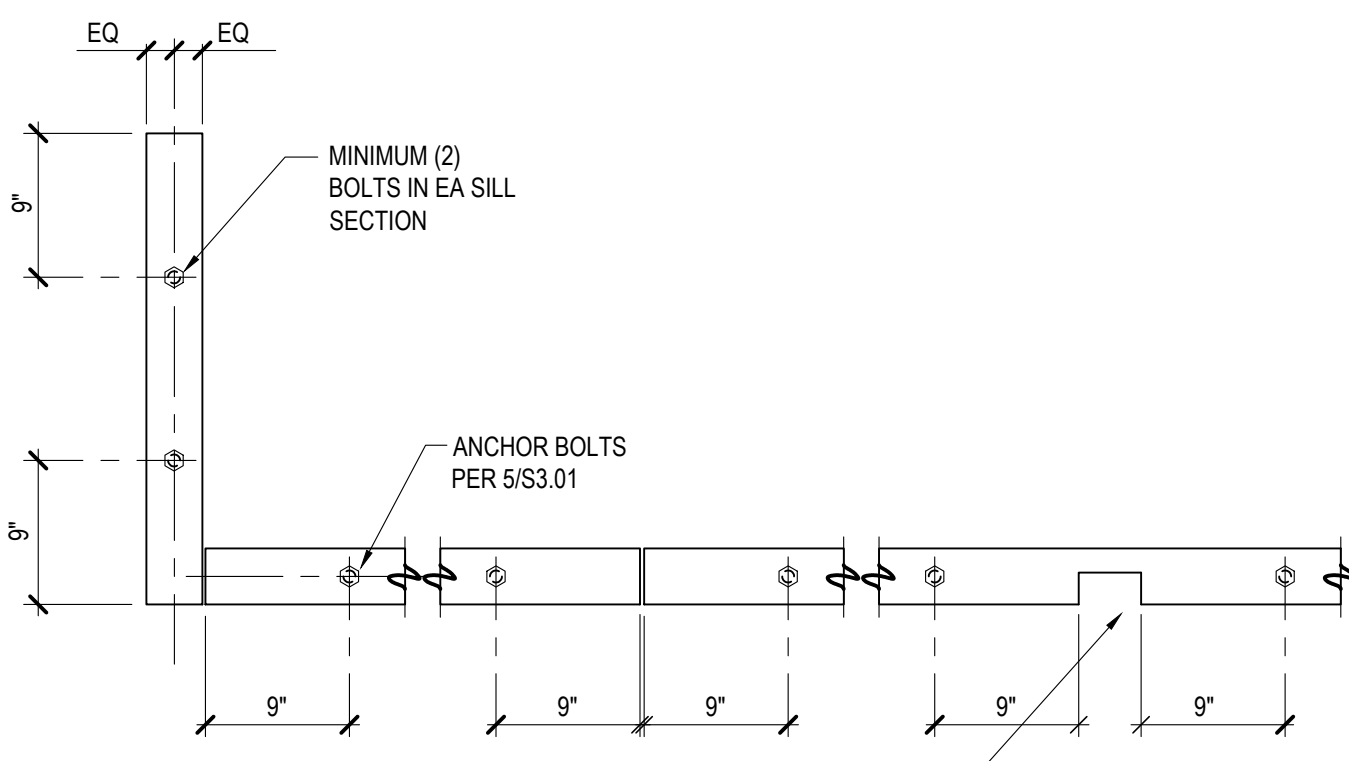
6 PARTIAL ELEVATION
S3.01 1/2" = 1'-0"



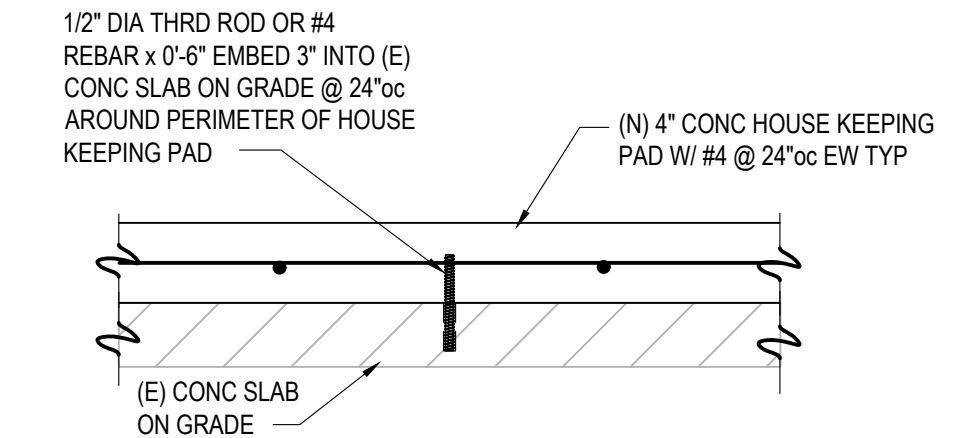
7 SECTION
S3.01 1" = 1'-0"



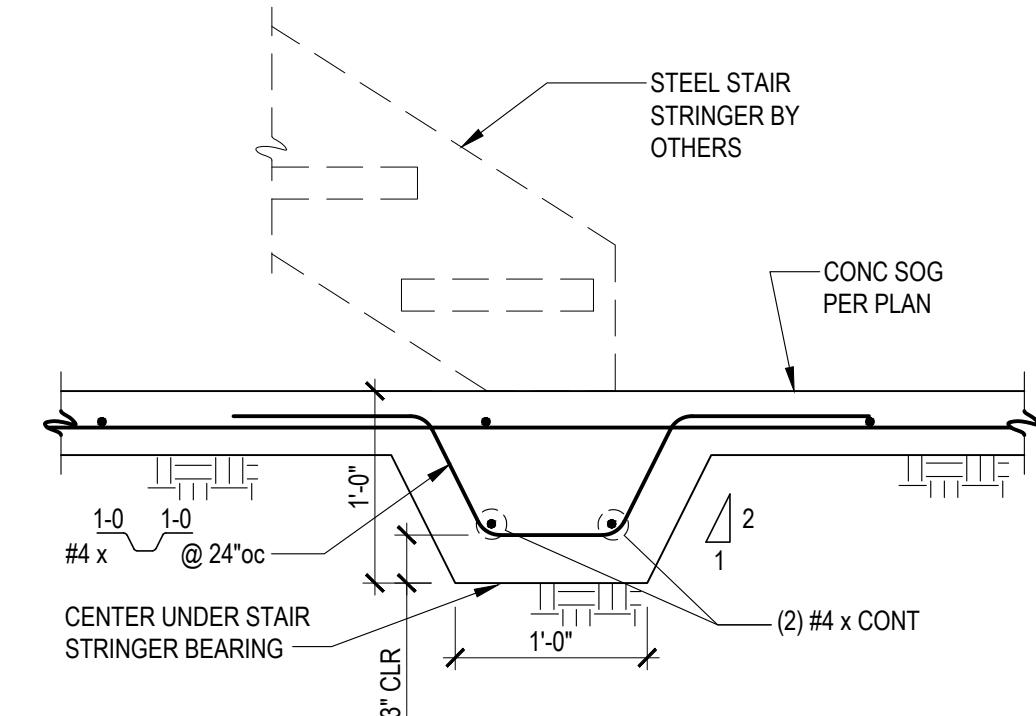
SECTION
S3.01 1" = 1'-0"



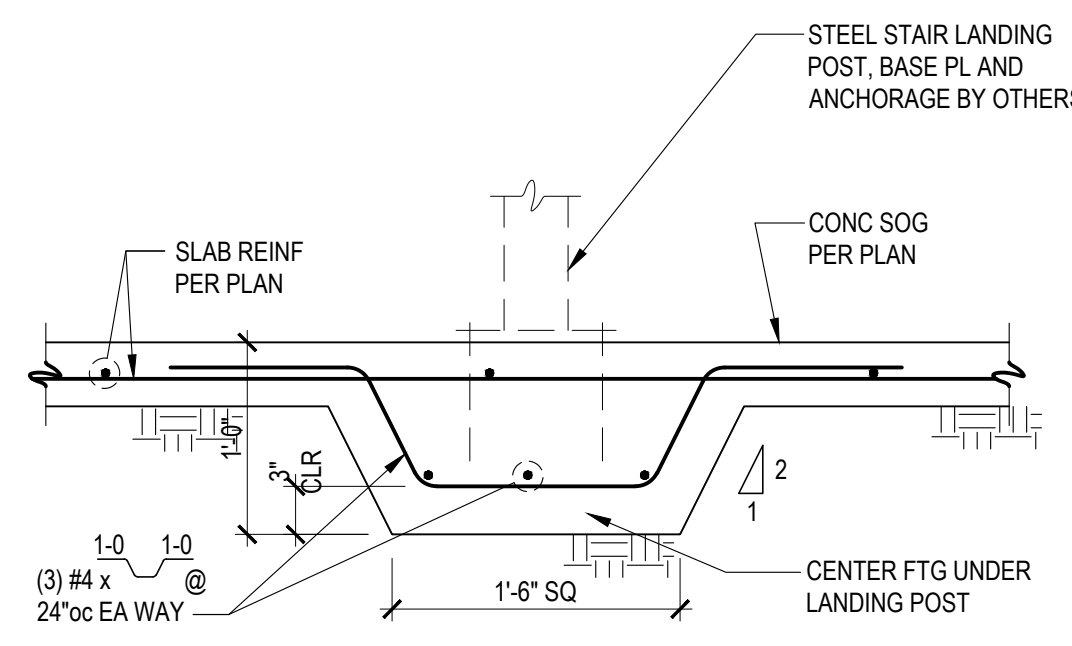
8 PLAN SECTION
S3.01 1" = 1'-0"



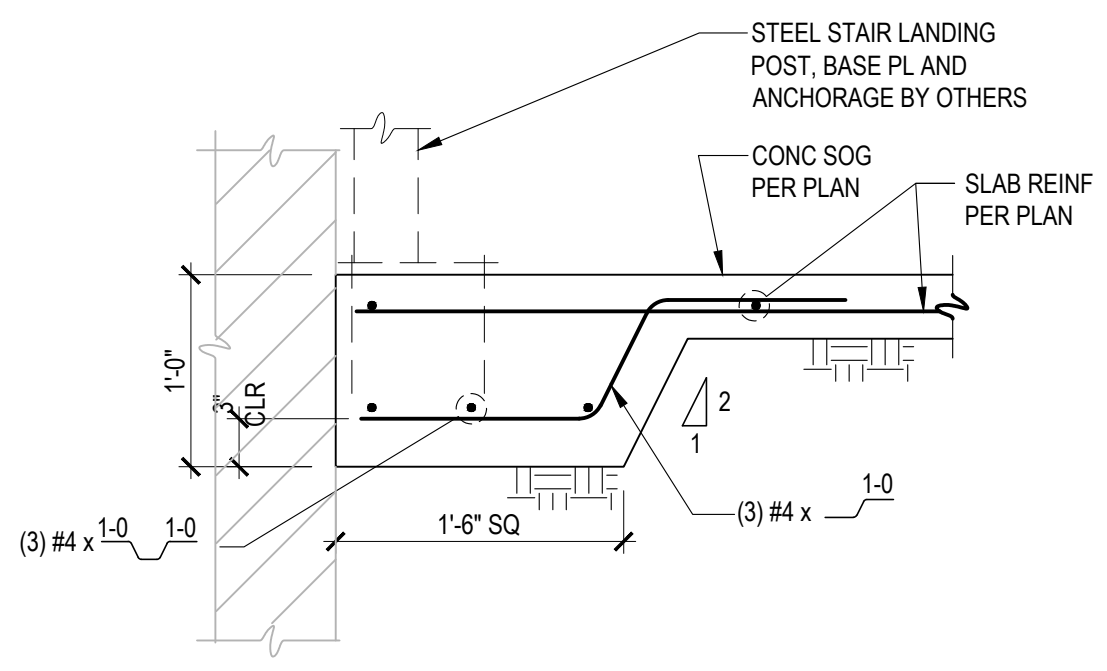
9 SECTION
S3.01 1" = 1'-0"



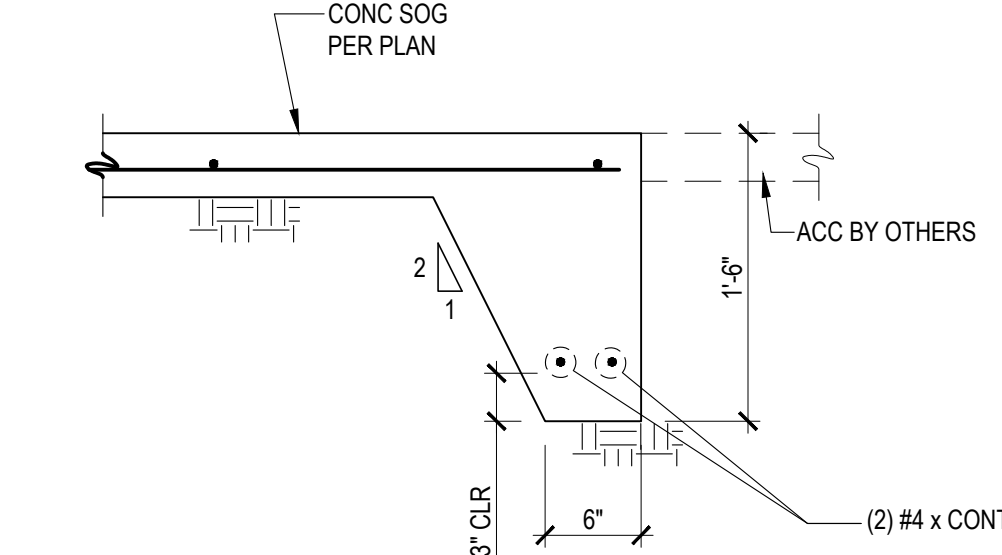
10 SECTION
S3.01 1" = 1'-0"



11 SECTION
S3.01 1" = 1'-0"



12 SECTION
S3.01 1" = 1'-0"



13 SECTION
S3.01 1" = 1'-0"

HiProjectFile\2022\22335-00 - 2400 Building Remodel and TI\DRAWINGS\CADD\S3.01 - PLOTTED - 2023.09.18 7:27:04 AM