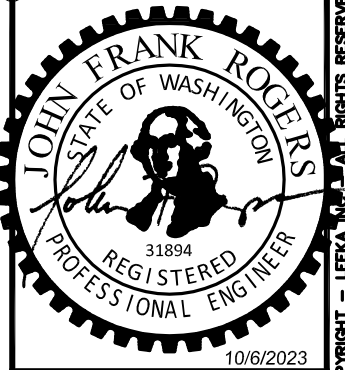
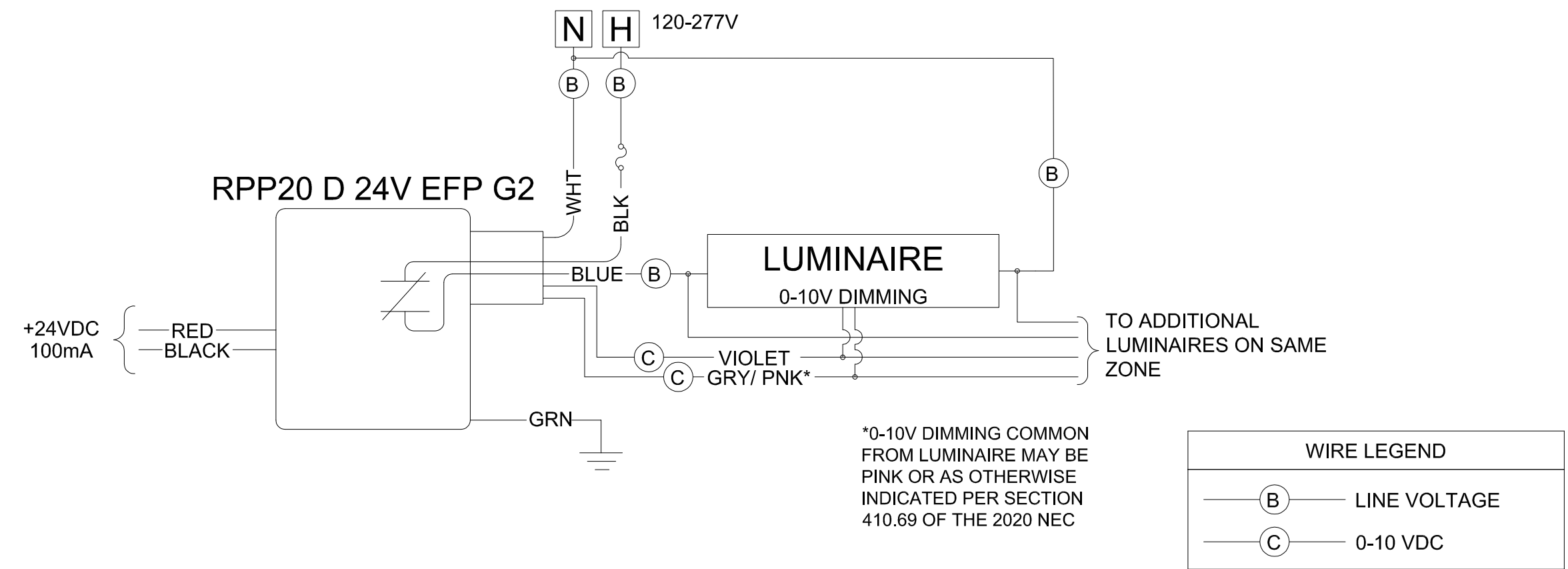


REVISED
4:13 pm, Oct 06, 2023



LEEKA Architecture and Planning
Creating Positive Impressions in the Built Environment
503.644.4222 | lee@leeka.com
1001 SE Water Avenue, Suite 175
Portland, Oregon 97214

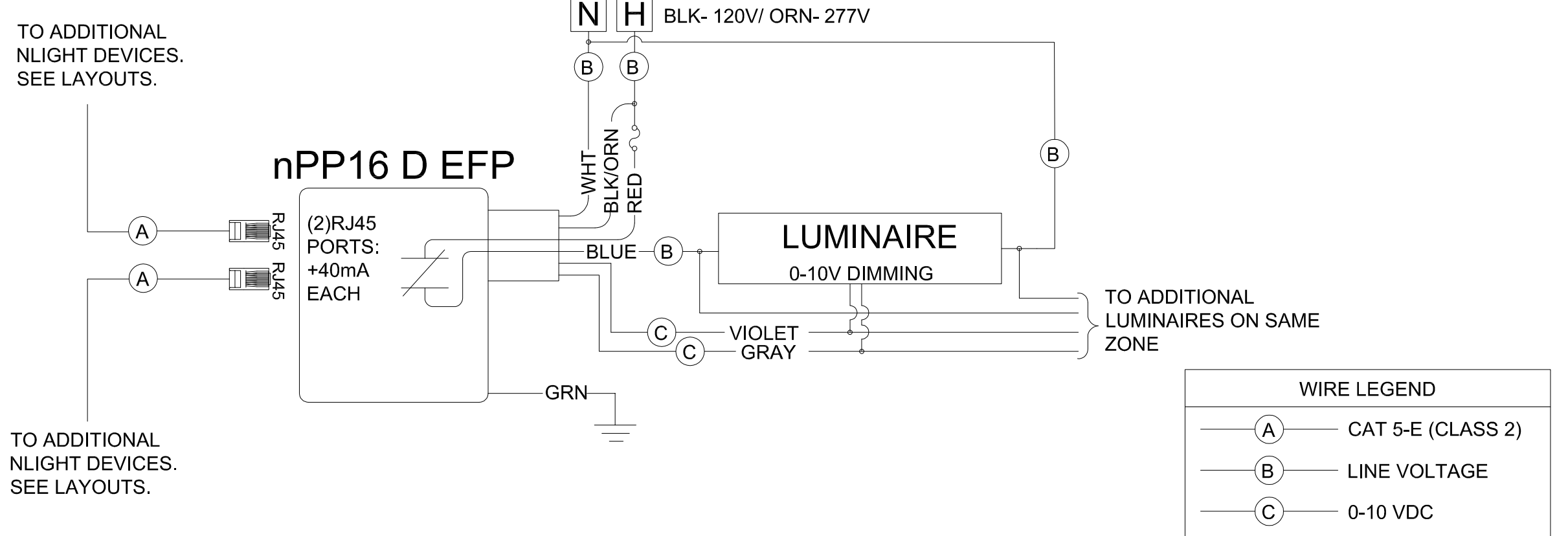
Tenant Improvement ESD112
Mental Health Facility Phase II
2400 NE 65th Ave. Vancouver WA.



TYPICAL WIRING DIAGRAM: RPP20 D 24V EFP G2
N.T.S.

*0-10V DIMMING COMMON FROM LUMINAIRE MAY BE PINK OR AS OTHERWISE INDICATED PER SECTION 410.69 OF THE 2020 NEC

WIRE LEGEND	
(B)	LINE VOLTAGE
(C)	0-10 VDC

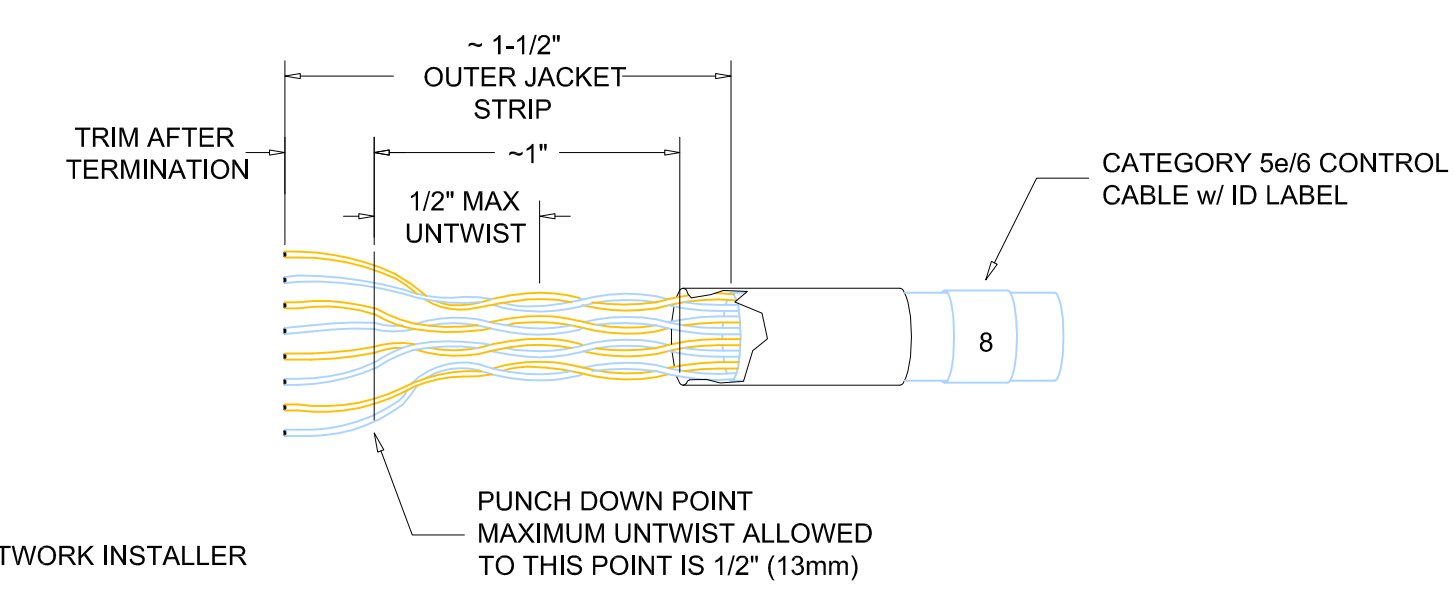


TYPICAL WIRING DIAGRAM: NPP16 D EFP
N.T.S.

WIRE LEGEND	
(A)	CAT 5-E (CLASS 2)
(B)	LINE VOLTAGE
(C)	0-10 VDC

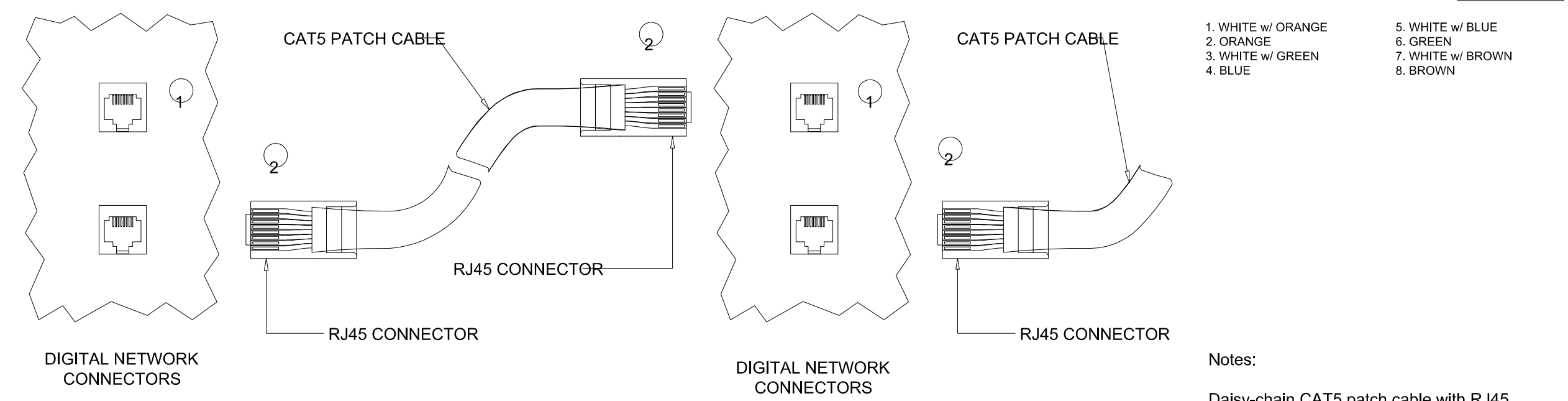
TIA / EIA-568-B CABLING STANDARD TERMINATION

Function	PAIR #	PIN OUT (T568B)	Wire Color
(T1) (R1)	1	5 4	WHITE w/ BLUE BLUE
Tx + (T2) Tx - (R2)	2	1 2	WHITE w/ ORANGE ORANGE
Rx + (T3) Rx - (R3)	3	3 6	WHITE w/ GREEN GREEN
(T4) (R4)	4	7 8	WHITE w/ BROWN BROWN



- Cable termination requirements:
- Strip off outer jacket - approximately 1-1/2" (37.5 mm)
 - Terminate approximately 1/2" (12.2 mm) from end of conductors on type 110 punch down block or connector per schedule (568b) - maximum untwist of conductors to terminations is 1/2" (12.2 mm) - trim excess leads

SEE SYSTEM SPECIFIC NOTES ON SHEET LC0.1 FOR MAXIMUM CABLE LENGTHS.



- RJ45 FEMALE CONNECTOR
- RJ45 MALE CONNECTORS. ALL CABLES SUPPLIED BY CONTRACTOR.

Notes:
Daisy-chain CAT5 patch cable with RJ45 connectors from digital device to digital device.
Refer to manufacturers instructions for long distance runs between digital devices.
Crimp and test each cable with a LAN circuit tester prior to installation.

CAT5E/6 CABLE TERMINATION

N.T.S.

NETWORKED DESIGN NOTES:

- THE RELIABILITY OF ALL WIRELESS SIGNALS ARE HEAVILY DEPENDANT ON DEVICE LOCATION.
- PHYSICAL OBJECT INTERFERENCE (ESPECIALLY METAL AND LARGE BARRIERS) CAN INHIBIT NLIGHT AIR WIRELESS COMMUNICATION FROM LOCAL DEVICES REACHING THE NLIGHT AIR ADAPTER.
- FOR OPTIMAL PERFORMANCE INSTALL THE NLIGHT AIR ADAPTER VERTICALLY IN A CENTRAL LOCATION, SUCH AS IN A CORRIDOR OR A SPACE WITH LITTLE OBSTRUCTION BETWEEN THE ADAPTER AND THE RECEIVING DEVICES IN ITS INITIAL BROADCAST RANGE.
- THE NLIGHT AIR ADAPTER CABLE WILL ALLOW FOR MOUNTING UP TO 15' FROM THE NLIGHT ECLYPSE.
- IF SITE CONDITIONS PREVENT UNOBSTRUCTED ACCESS, CONTACT LOCAL ACUITY BRANDS REPRESENTATIVE OR TECHNICAL SUPPORT.

LOCAL REP LOCATOR: <https://www.acuitybrands.com/support/how-to-buy>
ACUITY BRANDS TECH SUPPORT: (800) 535-2465



Revised:	DATE: AUG. 10, 2023	FOR: 01
	DATE: AUG. 17, 2023	APPLICANT EDITS
	DATE: SEPT. 22, 2023	APPLICANT EDITS
	DATE: OCT. 03, 2023	APPLICANT EDITS
Job No:	2246	
Date:	February 18, 2023	
File Size:	24x36	
Progress set		
DRAWN:	JJD	
CHECKED:	JFR	
Sheet Title	Lighting Controls	
Sheet Number	E5.01	