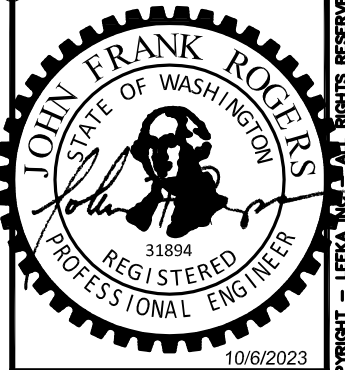


REVISED
4:13 pm, Oct 06, 2023

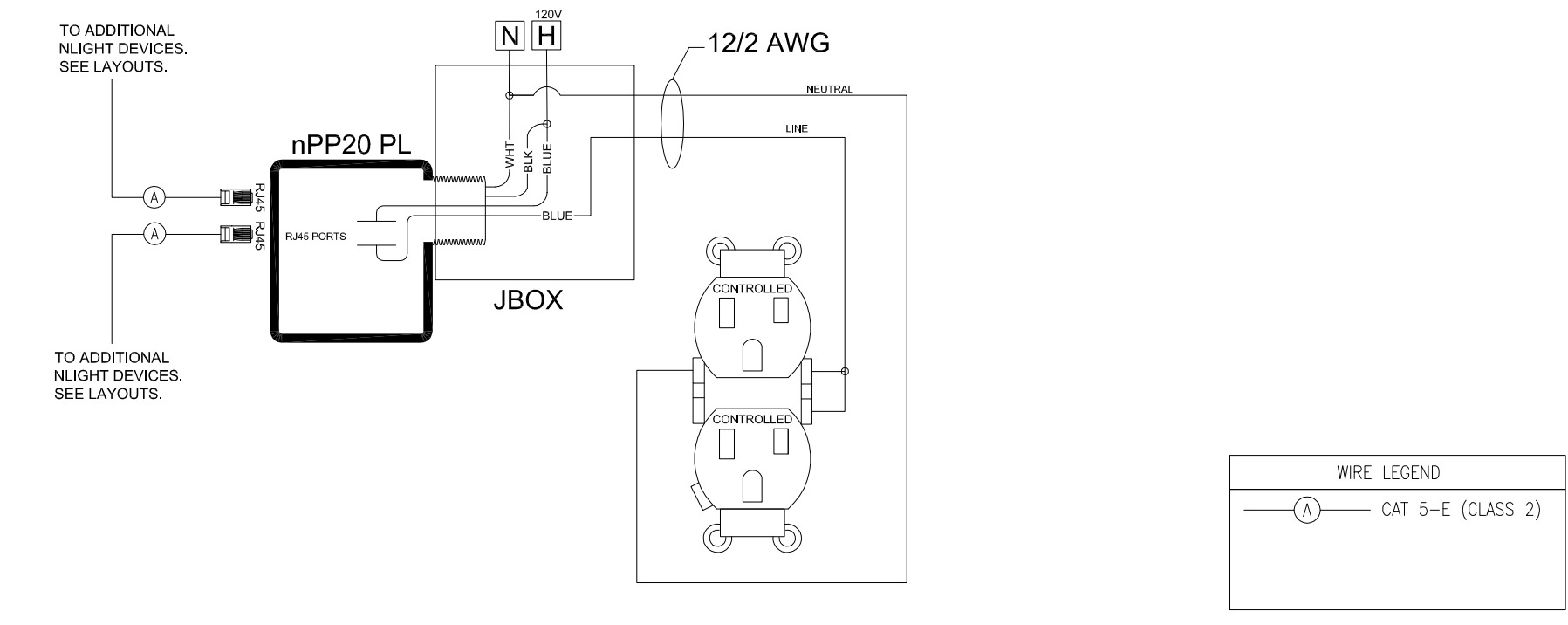


LEEKA Architecture and Planning
Creating Positive Impressions in the Built Environment
503.644.4222 | lee@leeka.com | www.leeka.com
1001 SE Water Avenue, Suite 175
Portland, Oregon 97214

Tenant Improvement
ESD112
Mental Health Facility Phase II
2400 NE 65th Ave. Vancouver WA.

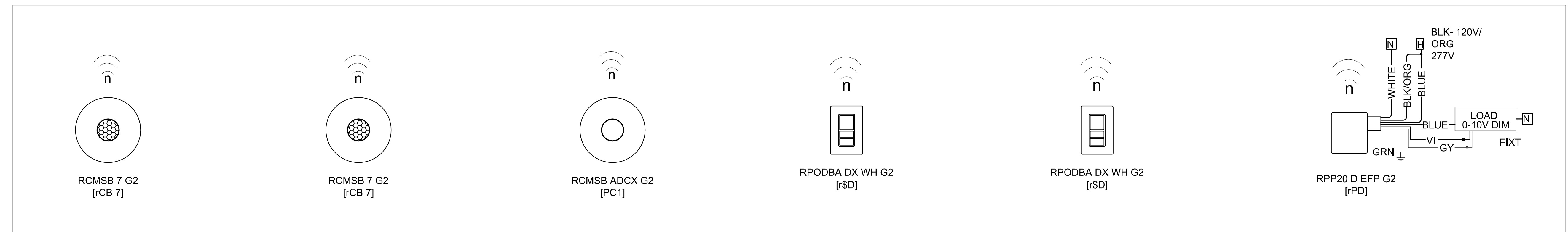
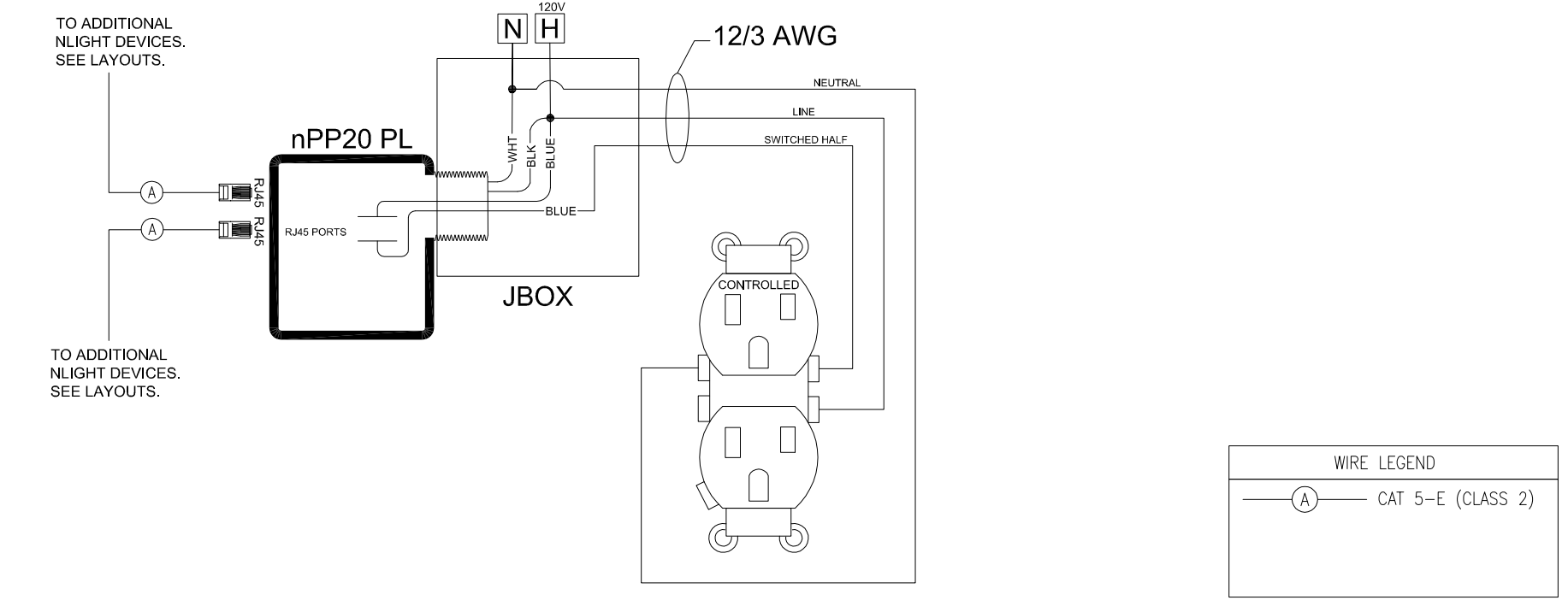
TYPICAL WIRING DIAGRAM: PLUG LOAD CTRLR FULL SWITCHED

N.T.S.



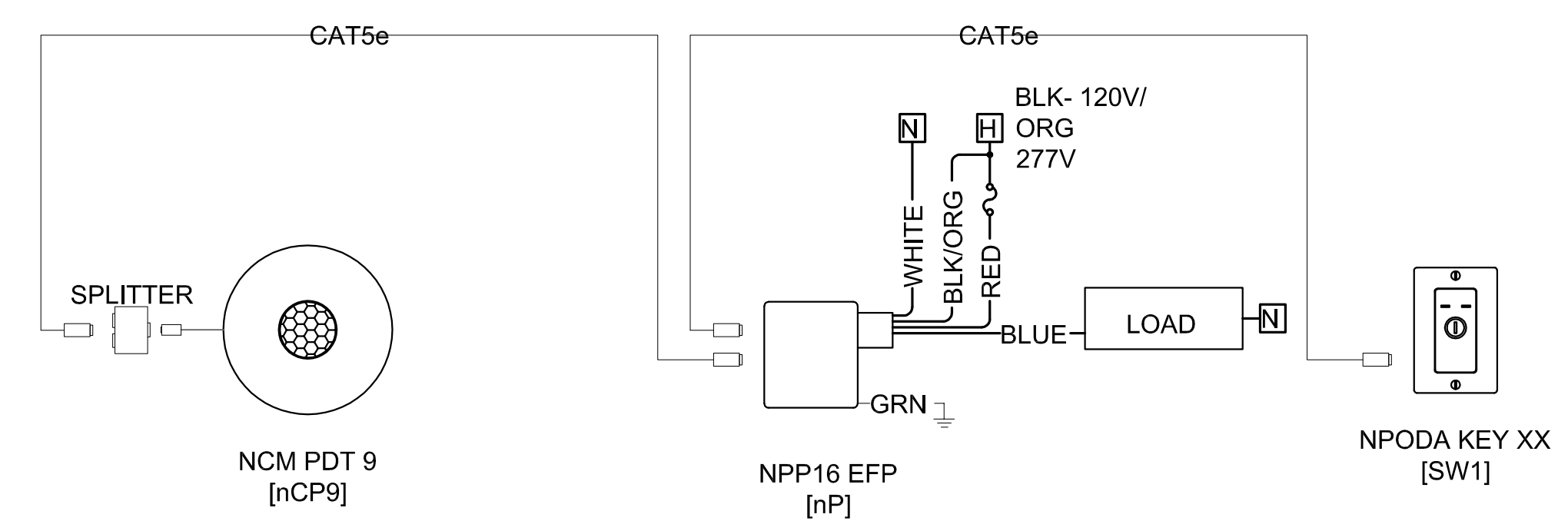
TYPICAL WIRING DIAGRAM: PLUG LOAD CTRLR HALF SWITCHED

N.T.S.



1 nLight Air Standalone - Typical Classroom

2 nLight - Room



Revised:	DATE: AUG. 10, 2023
PCR 01	DATE: AUG. 17, 2023
APPLICANT EDITS	DATE: SEPT. 22, 2023
APPLICANT EDITS	DATE: OCT. 03, 2023
APPLICANT EDITS	
Job No:	2246
Date:	February 18, 2023
File Size:	24x36
Progress set	
DRAWN:	JJD
CHECKED:	JFR
Sheet Title	Lighting Controls
Sheet Number	E5.02