

Revised:	DATE: Aug. 10, 2023
APPLICANT EDITS	DATE: Aug. 17, 2023
APPLICANT EDITS	DATE: Sept. 22, 2023
APPLICANT EDITS	DATE: Oct. 03, 2023
APPLICANT EDITS	

Job No: 2246
Date: 6-Feb-24
File Size: 24x36
Permit Application

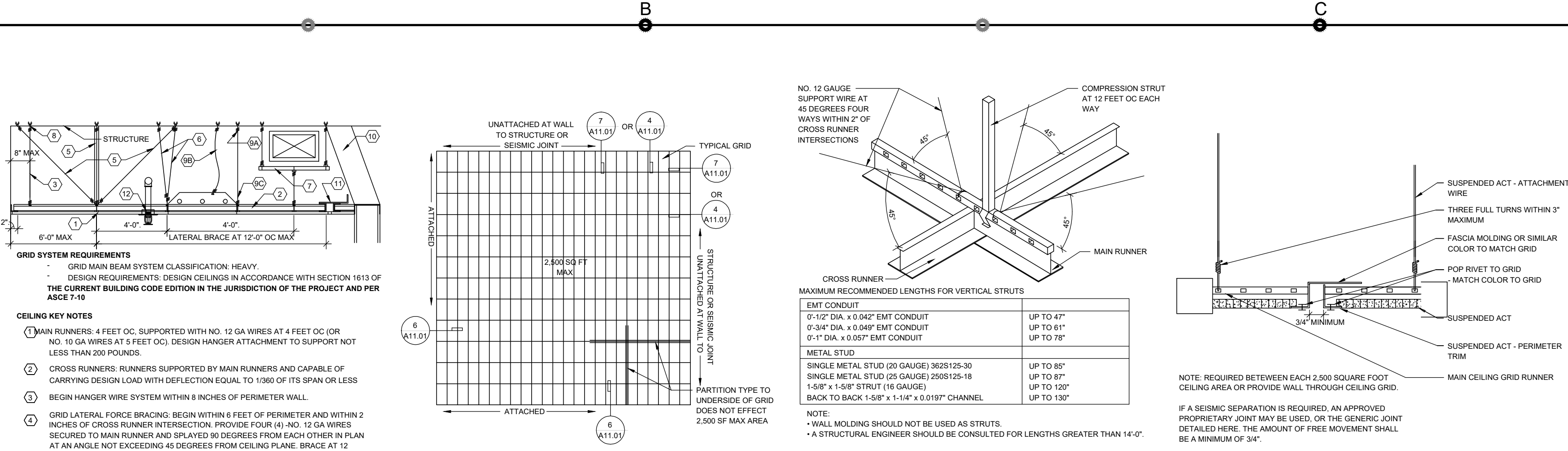
DRAWN: NYL
CHECKED: NYL

Sheet Title
Ceiling Plan

Sheet Number
A4.40



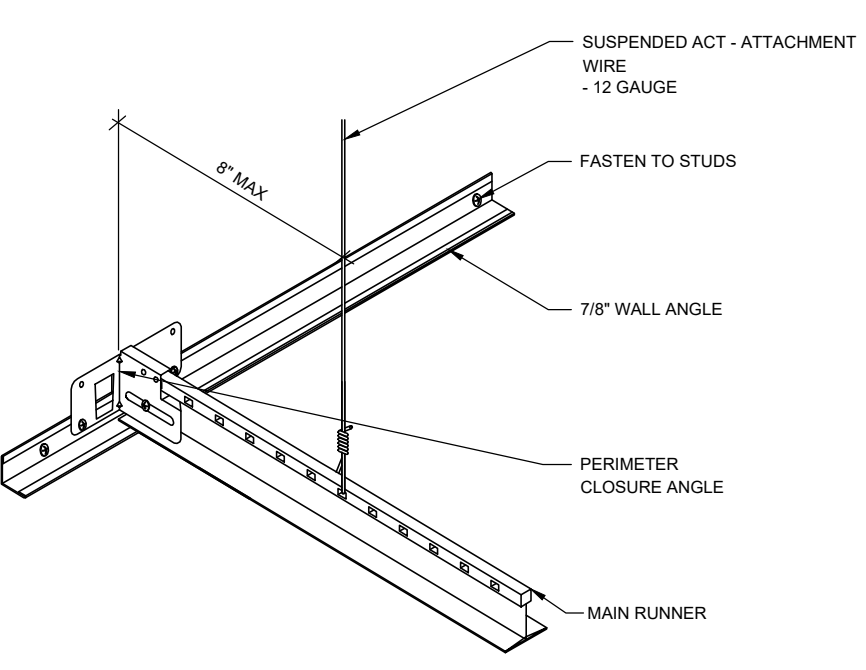
22 Ceiling Plan
A4.40 Scale 1/8"=1'-0"



GRID SYSTEM REQUIREMENTS
GRID MAIN BEAM SYSTEM CLASSIFICATION: HEAVY
DESIGN REQUIREMENTS: DESIGN CEILING IN ACCORDANCE WITH SECTION 1613 OF THE CURRENT BUILDING CODE EDITION IN THE JURISDICTION OF THE PROJECT AND PER ASCE 7-10

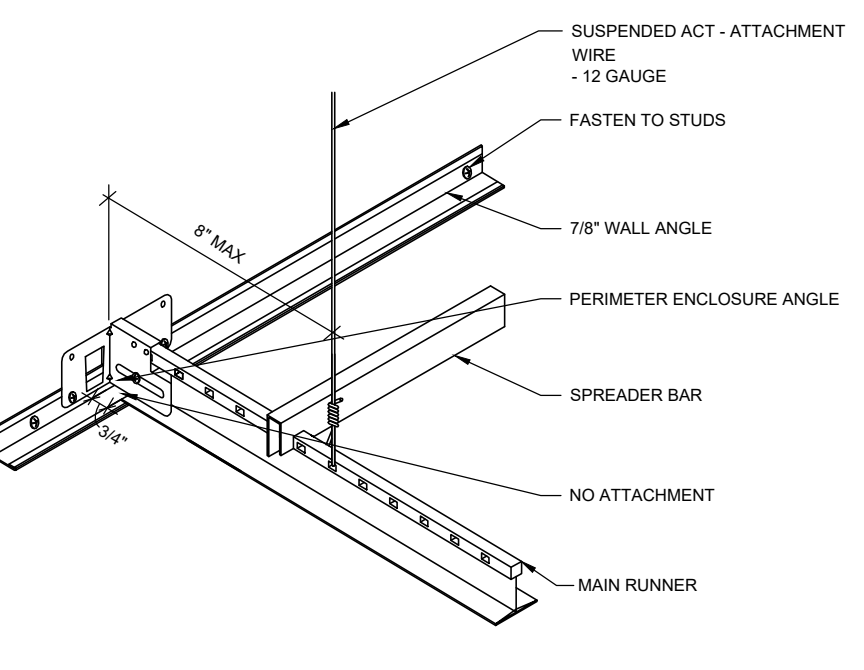
- CEILING KEY NOTES**
- MAIN RUNNERS: 4 FEET OC, SUPPORTED WITH NO. 12 GA WIRES AT 4 FEET OC (OR NO. 10 GA WIRES AT 3 FEET OC); DESIGN HANGER ATTACHMENT TO SUPPORT NOT LESS THAN 200 POUNDS.
 - CROSS RUNNERS: RUNNERS SUPPORTED BY MAIN RUNNERS AND CAPABLE OF CARRYING DESIGN LOAD WITH DEFLECTION EQUAL TO 1/360 OF ITS SPAN OR LESS
 - BEGIN HANGER WIRE SYSTEM WITHIN 8 INCHES OF PERIMETER WALL.
 - GRID LATERAL FORCE BRACING: BEGIN WITHIN 8 FEET OF PERIMETER AND WITHIN 2 INCHES OF CROSS RUNNER INTERSECTION. PROVIDE FOUR (4) NO. 12 GA WIRES SECURED TO MAIN RUNNER AND SPAYED 90 DEGREES FROM EACH OTHER IN PLAN AT AN ANGLE NOT EXCEEDING 45 DEGREES FROM CEILING PLANE. BRACE AT 12 FEET OC EACH WAY.
 - PROVIDE COMPRESSION STRUT COMPATIBLE WITH SUSPENSION SYSTEM, ADEQUATE TO RESIST VERTICAL FORCE COMPONENT INDUCED BY BRACING WIRES. SPACE 12 FEET ON CENTER IN BOTH DIRECTIONS.
 - PROVIDE COUNTER SLOPE HANGERS FOR HANGERS MORE THAN 1:6 OUT OF PLUMB.
 - PROVIDE TRAPEZE OR EQUIVALENT DEVICE WHERE HANGER WIRES ARE NOT POSSIBLE DUE TO OBSTRUCTIONS. PROVIDE BACK-TO-BACK 1-1/4" INCH COLD ROLLED CHANNELS (MINIMUM) WHERE TRAPEZE SPAN EXCEEDS 48 INCHES.
 - MINIMUM CARRYING CAPACITY FOR EACH HANGER WIRE ANCHOR TO STRUCTURE SHALL BE 100 POUNDS.
 - LIGHT FIXTURE SUPPORT:
 - FOR LIGHT FIXTURES WEIGHING LESS THAN 56 LBS: PROVIDE (2) NO. 12 GA SLACK WIRES FROM FIXTURE HOUSING TO STRUCTURE ABOVE.
 - FOR LIGHT FIXTURES IN EXCESS OF 56 LBS: PROVIDE DIRECT SUPPORT FROM STRUCTURE ABOVE USING TAUT WIRES.
 - PROVIDE POSITIVE ATTACHMENT BETWEEN LIGHT FIXTURES AND GRID SYSTEM, CAPABLE OF CARRYING 100 PERCENT OF LIGHT FIXTURE WEIGHT ACTING IN ANY DIRECTION.
 - PROVIDE INDEPENDENT RIGID LATERAL WALL BRACING WHEN INTERIOR PARTITION WALLS THAT TERMINATE AT GRID THAT DO NOT ALIGN WITH 4-WAY GRID BRACING.
 - PROVIDE SEISMIC JOINTS TO LIMIT UNBROKEN CEILING AREAS TO 2,500 SF.
 - FOR SPRINKLER HEADS AND OTHER PENETRATIONS: PROVIDE 2 INCH OVERSIZED ESCUTCHEON OR ADAPTER TO ALLOW AT LEAST 1 INCH MOVEMENT IN ALL HORIZONTAL DIRECTIONS. OR PROVIDE STANDARD ESCUTCHEON AND PENETRATIONS WITH FLEXIBLE HEAD CONNECTION. VERIFY WITH AIR BARRIER DIAGRAMS THAT CEILING IS NOT AN AIR BARRIER COMPONENT.

2 Typ. Susp. Ceil. System
A4.40 No scale



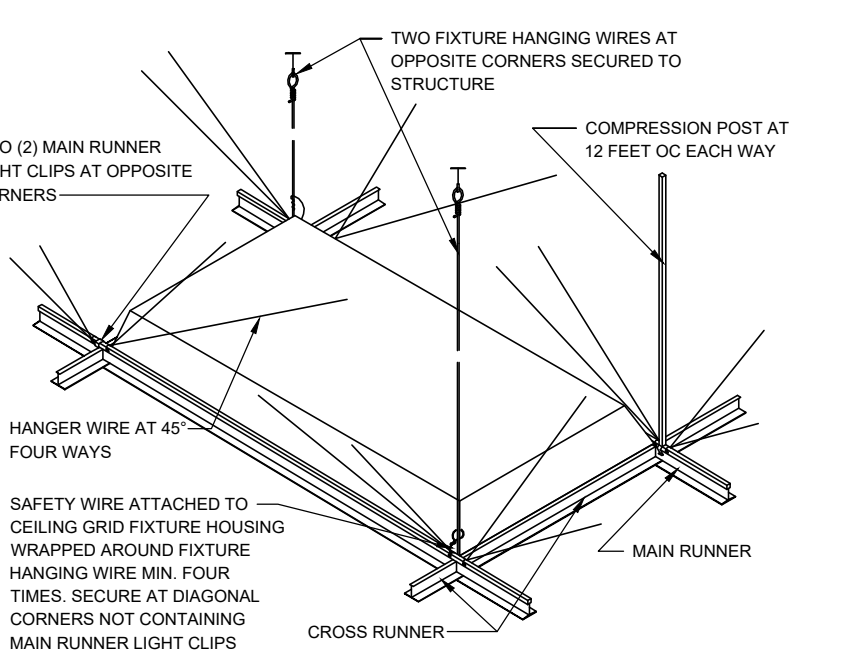
NOTE: ATTACH ONE END OF EACH MAIN RUNNER TO WALL ANGLE; DO NOT ATTACH THE OPPOSITE END.

3 Susp. Ceil. Bracing
A4.40 No scale



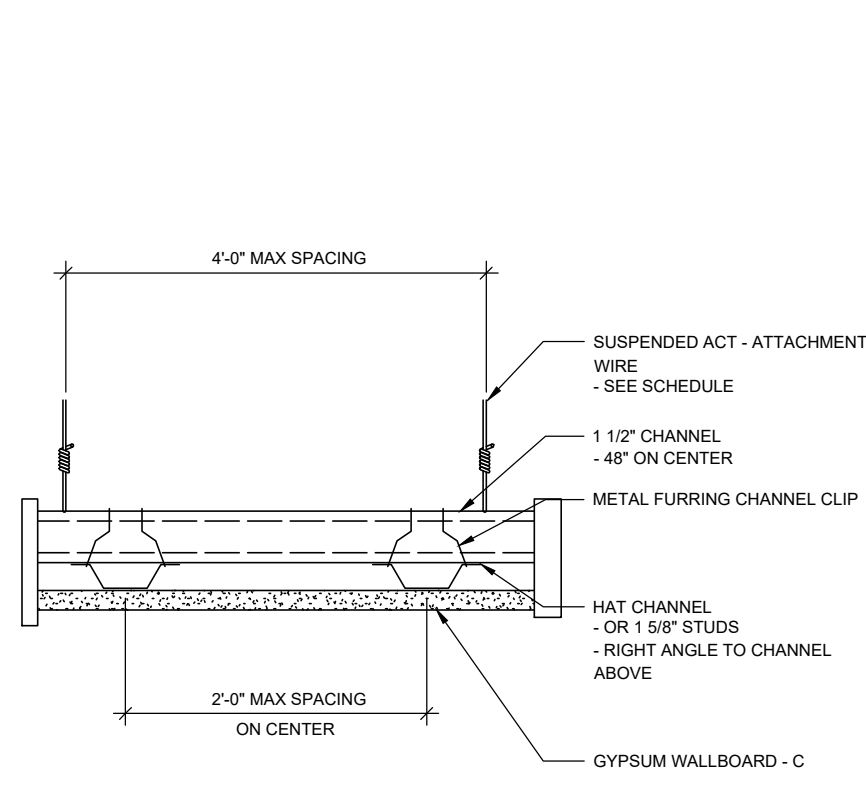
NOTE: - MAINTAIN MIN. 3/4 INCH CLEARANCE FROM CLOSURE ANGLE TO MAIN RUNNERS.
- ATTACH ONE END OF EACH MAIN RUNNER TO WALL ANGLE; DO NOT ATTACH THE OPPOSITE END.
- PROVIDE SPREADER BARS AT ALL TEES ADJACENT TO UNATTACHED ENDS.

4 Grid Seismic Joint
A4.40 No scale

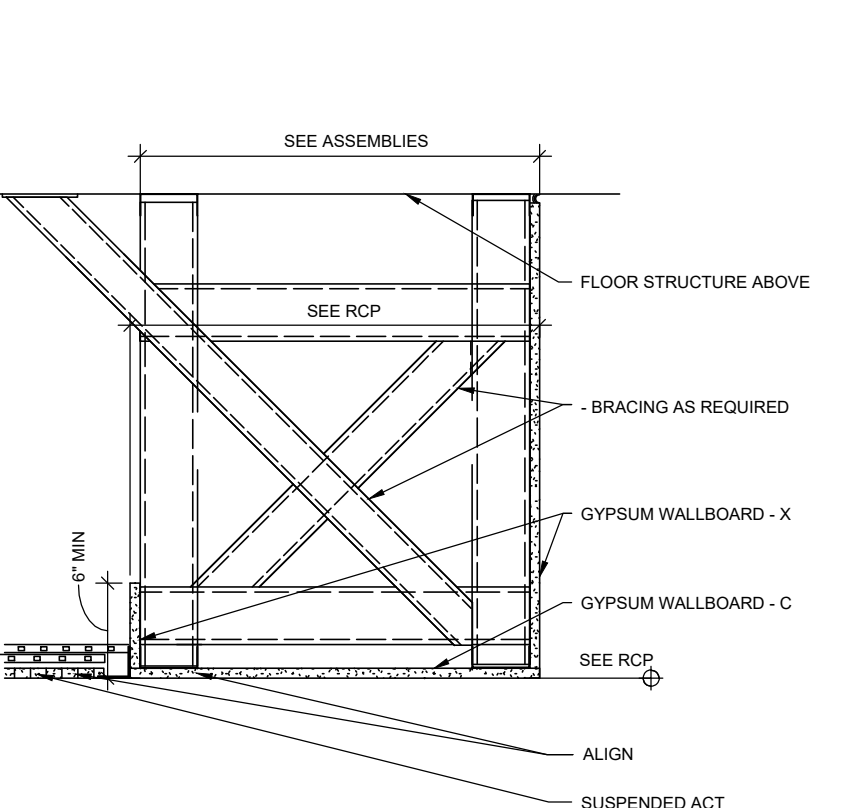


NOTE: REQUIREMENTS ARE FOR LIGHT FIXTURES WEIGHING 56 LBS OR LESS. LIGHT FIXTURES WEIGHING MORE THAN 56 LBS TO BE INDEPENDENTLY SUPPORTED FROM STRUCTURE

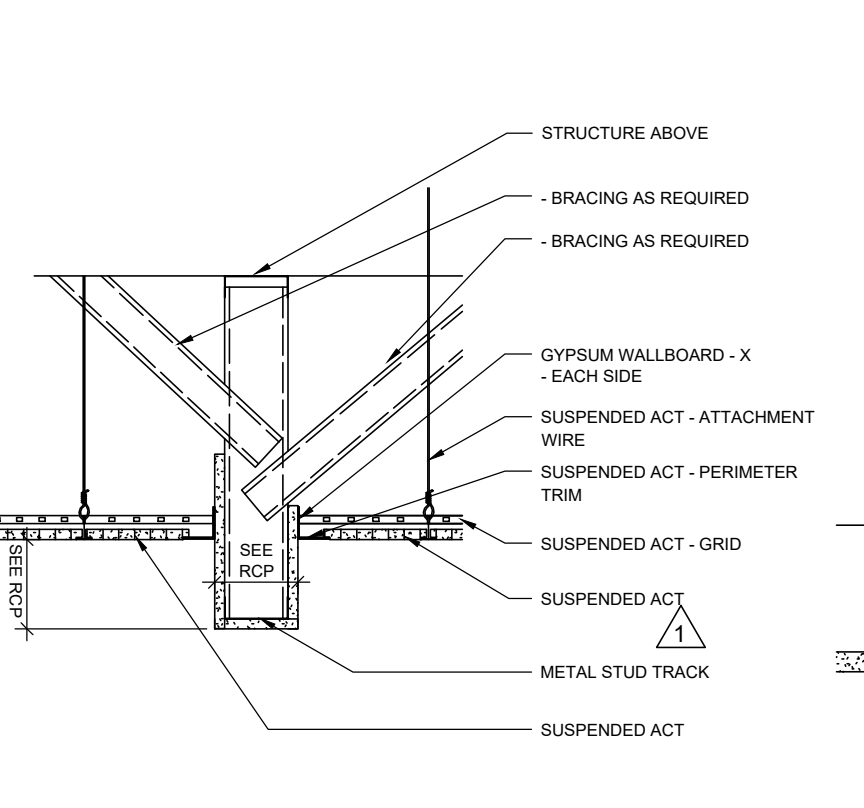
7 Susp. Ceil. notes
A4.40 No scale



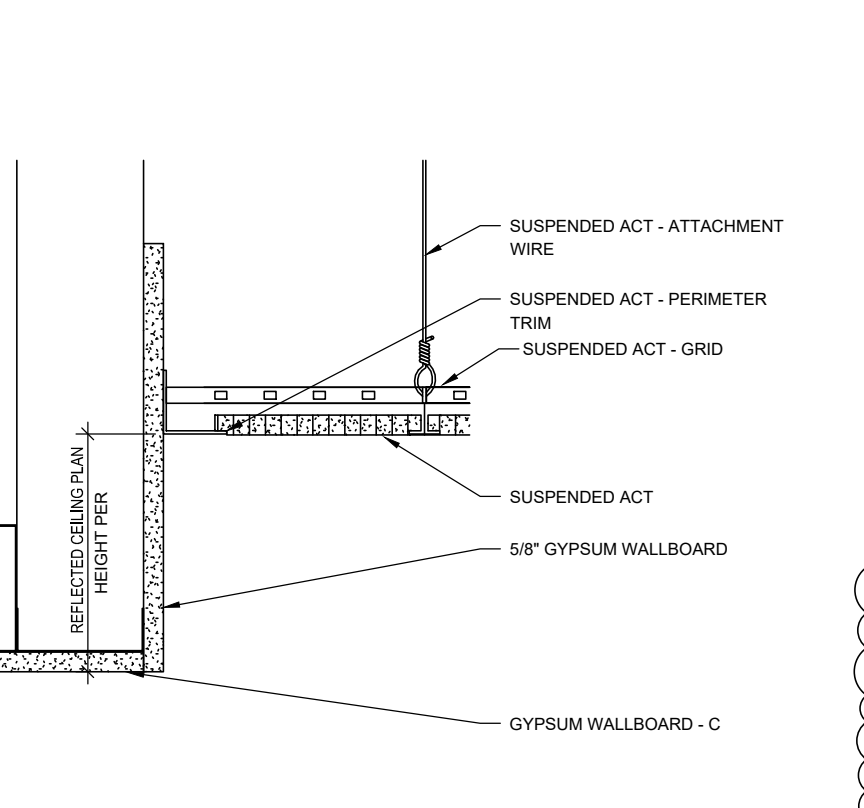
8 Susp. Ceil. - Attached
A4.40 No scale



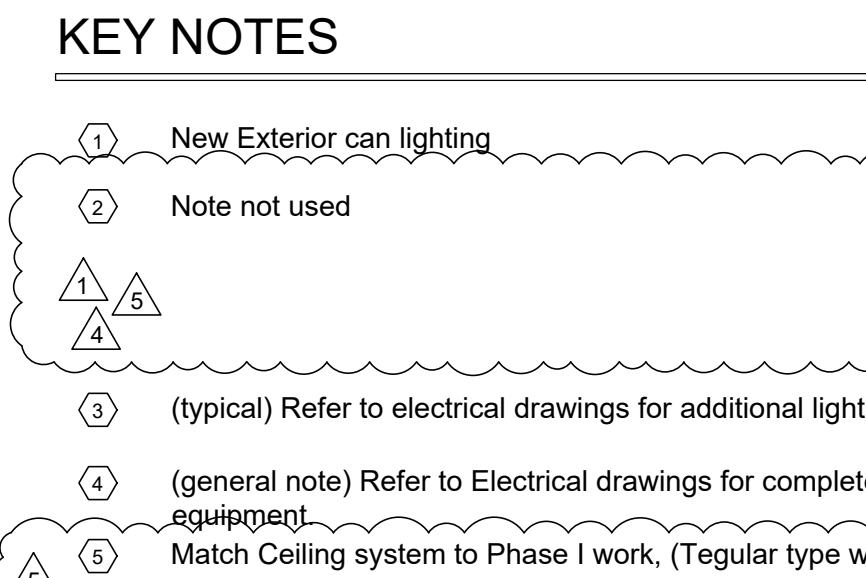
9 Susp. Ceil. - Unattached
A4.40 No scale



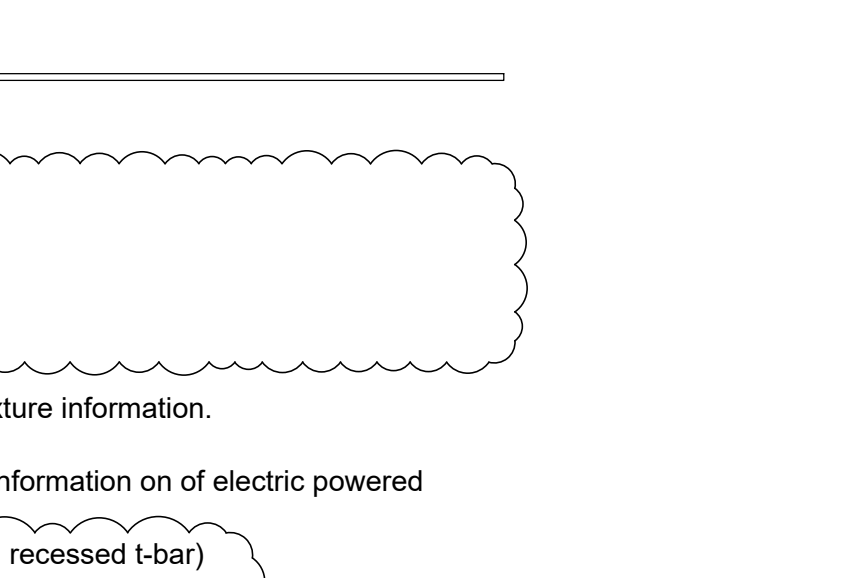
10 Recessed Lightt fix brace
A4.40 No scale



12 Framing @ GB Ceil.
A4.40 No scale



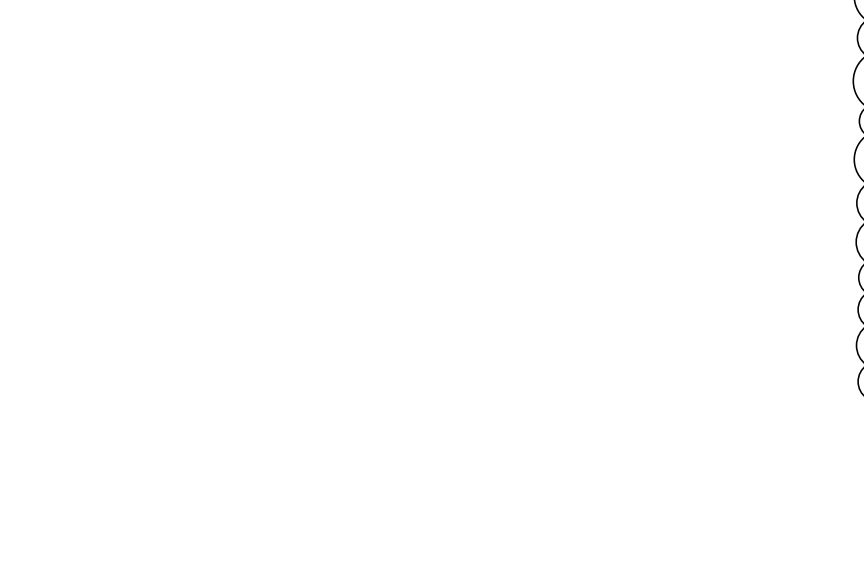
13 Ceil-Non Struct. Header
A4.40 No scale



14 Transition soffit
A4.40 No scale



15 Gyp. Soffit @ Susp. Ceil.
A4.40 No scale



KEY NOTES

- New Exterior can lighting
- Note not used
- (typical) Refer to electrical drawings for additional light fixture information.
- (general note) Refer to Electrical drawings for complete information on of electric powered equipment
- Match Ceiling system to Phase I work, (Tegular type with recessed I-bar)

COPYRIGHT - LEEKA INC. - ALL RIGHTS RESERVED